



Precision Router Table Top (24" x 32")

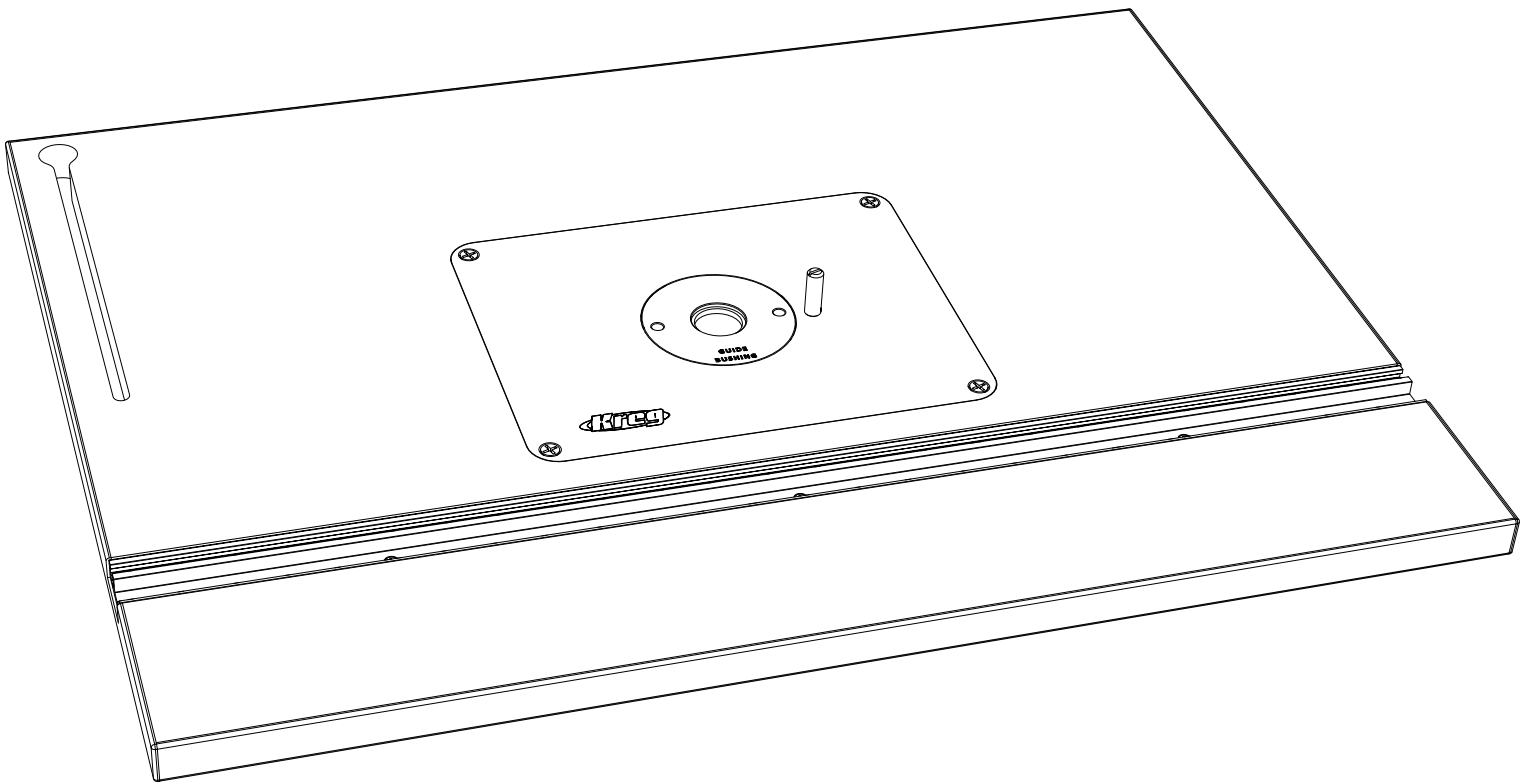
OWNER'S MANUAL

GUIDE D'UTILISATION • MANUAL DEL PROPIETARIO

Item# PRS1025

Article #PRS1025

Artículo # PRS1025



Tools Required:

- Phillips-head screwdriver
- Straight-slot screwdriver
- 1/8" hex wrench (included)
- #2 square driver (included)
- Double-faced tape
- Electric drill or drill press
- Drill bits
- Countersink bit

Outils nécessaires :

- Tournevis cruciforme
- Tournevis à tête plate
- Clé hexagonale de 1/8 po (incluse)
- Tournevis carré n° 2 (inclus)
- Ruban adhésif à double face
- Perceuse électrique ou à colonne
- Forets
- Fraise

Herramientas necesarias:

- Destornillador Phillips
- Destornilladores de punta recta
- Llave hexagonal de 1/8 pulg (incluida)
- Punta de destornillador cuadrada #2 (incluida)
- Cinta doble faz
- Taladro eléctrico o prensa de taladrar
- Brocas para taladro
- Broca para avellanar

WARNING When using electric tools, always follow the safety precautions *below* to reduce risk of fire, electric shock, and personal injury. Read all these instructions before attempting to operate this product. **SAVE THESE INSTRUCTIONS.**

1) Work area safety

- a) **Keep work area clean and well lit.** Cluttered or dark areas invite accidents.
- b) **Don't use power tools in a dangerous environment.** Don't use power tools in damp or wet locations, or expose them to rain.
- c) **Do not operate power tools in explosive atmospheres, such as in the presence of flammable liquids, gases or dust.** Power tools create sparks that can ignite the fumes or dust.
- d) **Keep children and bystanders away while operating a power tool.** Distractions can cause you to lose control.
- e) **Make your workshop child proof.** Use padlocks, master switches, or remove starter keys.

2) Electrical safety

- a) **Ground electric tools. If the tool is equipped with a three-prong plug, it should only be plugged into a grounded three-hole electrical outlet.** If the proper outlet is not available, have one installed by a qualified electrician. Never remove the third prong or modify the provided plug in any way.
- b) **Do not expose power tools to rain or wet conditions.** Water entering a power tool will increase the risk of electric shock.
- c) **Do not abuse the cord. Never use the cord for carrying, pulling or unplugging the power tool. Keep cord away from heat, oil, sharp edges or moving parts.** Damaged or entangled cords increase the risk of electric shock.
- d) **Use a proper extension cord and make sure it is in good condition.** When using an extension cord, be sure to use one heavy enough to carry the current your power tool draws. An undersized cord causes a drop in line voltage resulting in loss of power and overheating. Table 1 on the following page shows the correct cord gauge to use depending on cord length and tool nameplate ampere rating. If in doubt, use the next heavier gauge. The smaller the gauge number, the heavier the cord.
- e) **When operating electric tools, avoid body contact with grounded or earthed surfaces such as pipes, radiators, kitchen ranges, and refrigerators.** Contact with a grounded surface increases the risk of electric shock.

3) Personal safety

- a) **Stay alert, watch what you are doing and use common sense when operating a power tool. Do not use a power tool while you are tired or under the influence of drugs, alcohol or medication.** A moment of inattention while operating power tools may result in serious personal injury.
- b) **Always wear safety glasses.** Everyday eyeglasses are not safety glasses. Safety glasses have specially constructed lenses, frames, and side shields.
- c) **Use safety equipment.** Use a face or dust mask when the cutting operation is dusty. Safety equipment such as a dust mask, non-skid safety shoes, hard hat, or hearing protection used for appropriate conditions reduces personal injuries.
- d) **Avoid accidental starting. Make sure the switch is in the off-position before plugging in.** Carrying power tools with your finger on the switch or plugging in power tools that have the switch on invites accidents.
- e) **Remove any adjusting key or wrench before turning the power tool on.** A wrench or a key left attached to a rotating part of the power tool may result in personal injury.
- f) **Do not overreach. Keep proper footing and balance at all times.** This enables better control of the power tool in unexpected situations.
- g) **Secure workpieces.** Use clamps or a vise to hold work when practical. This is safer than using your hand and it frees both hands to operate the tool.
- h) **Never stand on the machine.** Serious injury could occur if the tool tips or if the cutting tool is unintentionally contacted.
- i) **Dress properly. Do not wear loose clothing or jewelry. Keep your hair, clothing and gloves away from moving parts.** Loose clothes, jewelry or long hair can be caught in moving parts. Roll up long sleeves to the elbow. Wear protective hair covering to contain long hair.
- j) **If devices are provided for the connection of dust extraction and collection equipment, ensure these are connected and properly used.** Use of these devices can reduce dust-related hazards.

4) Power tool use and care

- a) **Keep guards in place and in working order.**
 - b) **Do not force the power tool. Use the correct power tool for your application.** The correct power tool will do the job better and safer at the rate for which it was designed.
 - c) **Use the right tool.** Don't force a tool or attachment to do a job for which it was not designed.
 - d) **Do not use the power tool if the switch does not turn it on and off.** Any power tool that cannot be controlled with the switch is dangerous and must be repaired.
 - e) **Disconnect the plug from the power source and/or the battery pack from the power tool before making any adjustments, changing accessories, or storing power tools.** Such preventive safety measures reduce the risk of starting the power tool accidentally.
 - f) **Never leave a tool running unattended. Turn power off.** Don't leave the tool until it comes to a complete stop.
 - g) **Store idle power tools out of the reach of children and do not allow persons unfamiliar with the power tool and these instructions to operate the power tool.** Power tools are dangerous in the hands of untrained users.
 - h) **Maintain power tools. Check for misalignment or binding of moving parts, broken parts, and any other condition that may affect power tool operation. If damaged, have the power tool repaired before use.** Many accidents are caused by poorly maintained power tools.
 - i) **Keep cutting tools sharp and clean.** Properly maintained cutting tools with sharp cutting edges are less likely to bind and are easier to control.
 - j) **Use the recommended speed for the cutting tool or accessory and workpiece material.**
 - k) **Only use parts and accessories recommended by the manufacturer.** Consult the owner's manual for recommended accessories. Using improper accessories may cause personal injury.
 - l) **Use the power tool, accessories, and tool bits in accordance with these instructions and in the manner intended for the particular type of power tool, taking into account the working conditions and the work to be performed.** Use of the power tool for operations different from those intended could result in a hazardous situation.
- ### 5) Service
- a) **Have your power tool serviced by a qualified repair person using only identical replacement parts.** This ensures that the safety of the power tool is maintained.
- ### 6) Safety Instructions specific to using the Precision Router Table Top fitted with a fence.
- a) **Read, understand, and follow your router manufacturer's safety warnings and instructions.**
 - b) **Disconnect the router from power before making adjustments.** Never adjust the fence, plate, reducing rings, or any part of the router or router table while the router is running.
 - c) **Place the router table on a flat surface to prevent tipping or sliding.** Never stand on the router table.
 - d) **Do not attempt to rout warped, twisted, or bowed workpieces.** All workpieces must have flat faces and square edges.
 - e) **Do not attempt to rout very large workpieces on a router table.** Very large workpieces can be difficult to control and can cause the router table to tip over.
 - f) **Only use router bits in your router.** Never use tools such as carving burrs, mounted abrasives, wire wheels, or drill pits, even if the shanks match the diameter of the router collet.
 - g) **Wear gloves when handling router bits.** Cutting edges are sharp.
 - h) **Never use dirty, dull, or damaged router bits.** Remove wood-resin build-up with a cleaner specifically formulated for cutting tools. Have dull bits sharpened by a qualified person. Discard damaged bits.
 - i) **Make sure at least 75% of the router-bit shank length is securely held in the router collet.** To ensure a secure hold, leave $\frac{1}{16}$ " to $\frac{1}{8}$ " (2mm-3mm) between the end of the bit shanks and the bottom of the collet.
 - j) **Use the insert-plate reducing ring with the smallest opening that allows the bit to pass through it.** A large gap around the bit can allow the workpiece to tip

into the bit and kick back.

- k) **Position the fence faces as close as possible to the bit.** Turn the bit by hand to check for interference. Firmly tighten the fence-face T-knobs before routing.
- l) **Adjust router speed to match the diameter of the bit.** Reduce router speed when using large-diameter bits. See **Table 2** for recommended router speeds.
- m) **Make sure the router motor is securely clamped in the base before starting the router.**
- n) **Always support the workpiece with the fence or start pin.** Only use the starter pin with router bits that have a guide bearing.
- o) **When using the fence, always position the bit guard over the router bit and as close to the workpiece surface as possible.**
- p) **Never remove a large quantity of stock in one cut.** Make several progressively deeper cuts, adjusting the router bit or fence position between cuts.
- q) **Keep hands away from the rotating bit and your body out of the path of the cut.** Always use the bit guard, Use push sticks, push blocks, and feather boards whenever possible, especially when routing narrow workpieces. Turn off the router before clearing parts of scrap.
- r) **Avoid awkward hand positions, where a sudden slip could cause contact with the rotating bit.** Never overreach.
- s) **Avoid routing small parts.** Rout the profile on a large workpiece and then cut the part to final size from the large workpiece. If you must rout a small part, build an appropriate jig or hold the part with a wood handscrew clamp.
- t) **Make sure the workpiece is clear of the bit and the bit comes to a complete stop before adjusting the workpiece position.** Never start the router with the workpiece in contact with the bit.
- u) **Avoid kickbacks. Kickbacks occur when the workpiece binds or lifts off the table while being routed, causing it to be thrown back toward the operator.** To avoid kickbacks and potential injury, use sharp bits, keep the machine aligned and maintained properly, and adequately support the workpiece. Do not attempt to rout workpieces that are twisted, warped, or bowed, or that have loose knots.
- v) **Feed the workpiece against (not with) the bit rotation.** The bit can grab a workpiece fed with the rotation of the bit, violently eject it from the router table, and can cause your hand to contact the bit.
- w) **Never trap a workpiece between the bit and the fence.** When forming a profile on the straight edge of a workpiece, always rout with the bit housed in the fence and the edge of the workpiece against the fence.
- x) **Whenever routing a profile in which material is not being removed below a protruding portion of the bit, or a part of the profile is trapped between cutters above and below, take extra precautions to prevent the workpiece from lifting off the table surface during routing.** A workpiece lifting off the table can kick back and cause serious personal injury. When routing these profiles, it is especially important to use straight, flat stock and avoid warped, bowed, or twisted stock.
- y) **Periodically check the tightness of fasteners and adjustment and locking knobs and the alignment of the fence.** Loose fasteners and knobs and a misaligned fence can cause personal injury.
- z) **This router table is designed for a specific application. Do not modify and or use it for any other application.** If you have questions relative to the application of the router table, DO NOT use it until you have contacted Kreg Tool Company and have been advised accordingly.

Guidelines for extension cord use

Extension cords are only to be used for temporary purposes. They do not replace the need for installation of outlets and proper wiring where necessary.

In the shop and on construction sites:

1. Extension cords with an equipment grounding conductor must be used at all times.
2. Extension cords must be protected from damage, and not run through doorways or windows where the doors or windows can close, causing damage to the cord.
3. Extension cords must be a minimum of 16 AWG and be rated for the equipment in use.
4. Extension cords must be periodically inspected to ensure that the insulation and conductivity of the wires are not compromised.
5. Extension cords should not be run through water or allowed to have connections that may be exposed to accumulated water.

TABLE 1

Nameplate Amperes @120 V	Extension Cord Length					
	25'	50'	75'	100'	150'	200'
	Recommended Wire Gauge					
0 - 5	16	16	16	14	12	12
5.1 - 8	16	16	14	12	10	NR
8.1 - 12	14	14	12	10	NR	NR
12.1 - 16	12	12	NR	NR	NR	NR

NR – Not Recommended

TABLE 2

Recommended Router Bit Speeds	
Bit Diameter	Maximum Speed (RPM)
Up to 1" (25mm)	24,000
1¼" to 2" (32mm-51mm)	18,000
2¼" to 2½" (57mm-64mm)	16,000
3" to 3½" (76mm-89mm)	12,000

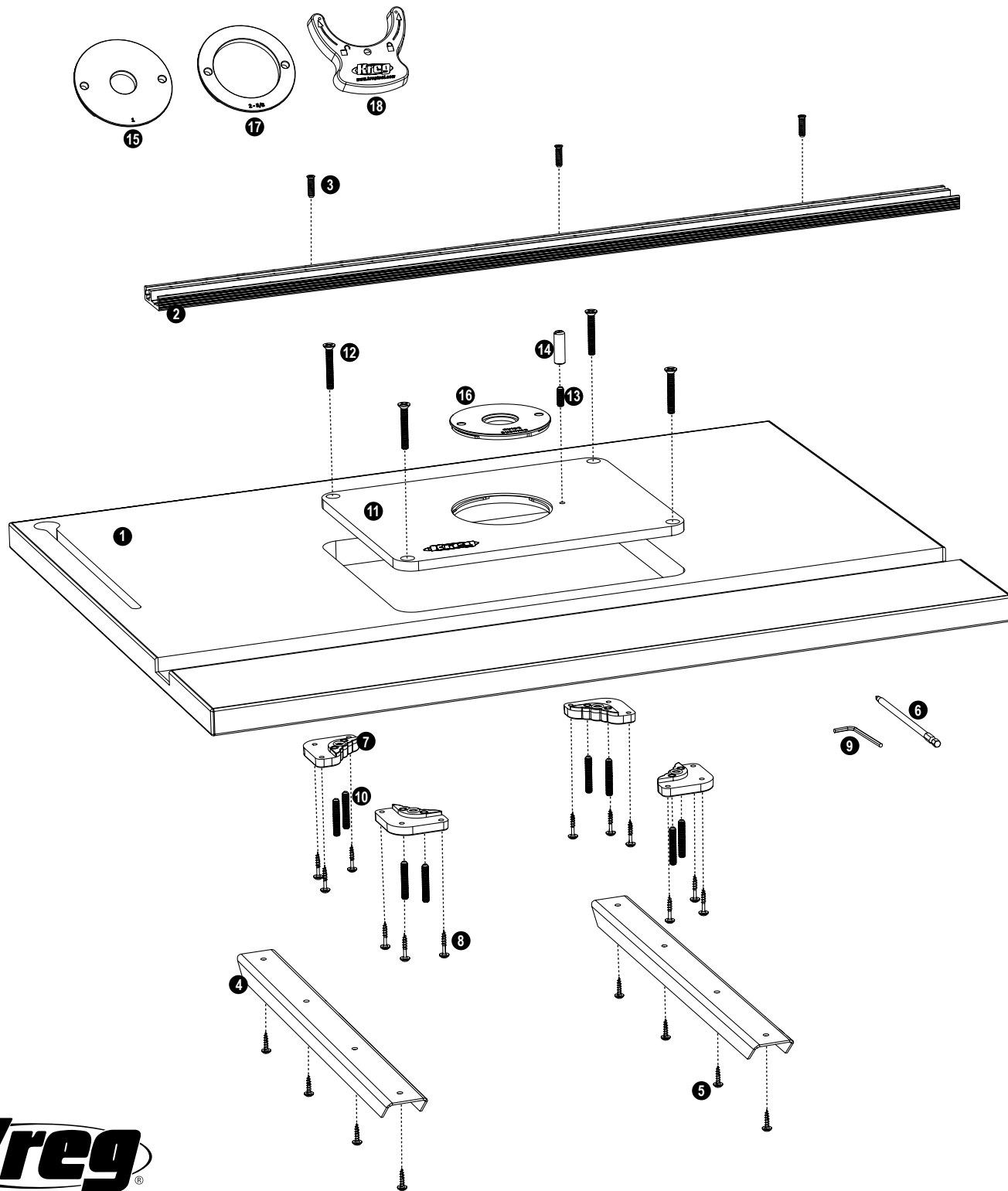
Always follow bit manufacturer's speed recommendations. Some bit designs require specific speeds for safety or performance.

⚠ WARNING: This product can expose you to chemicals including Acrylonitrile and other chemicals, which are known to the State of California to cause cancer and reproductive harm. For more information go to www.P65Warnings.ca.gov.

⚠ WARNING: Drilling, sawing, sanding or machining wood products can expose you to wood dust, a substance known to the State of California to cause cancer. Avoid inhaling wood dust or use a dust mask or other safeguards for personal protection. For more information go to www.P65Warnings.ca.gov/wood.

For assistance with any Kreg product, contact us through our Web site or call Customer Service.
www.kregtool.com • 800.447.8638

Exploded View

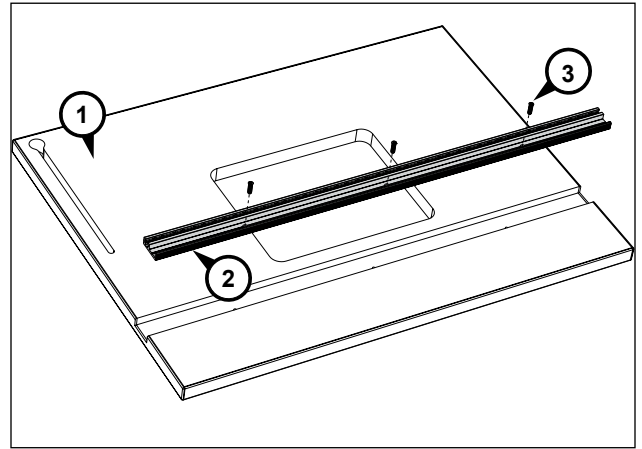


Parts

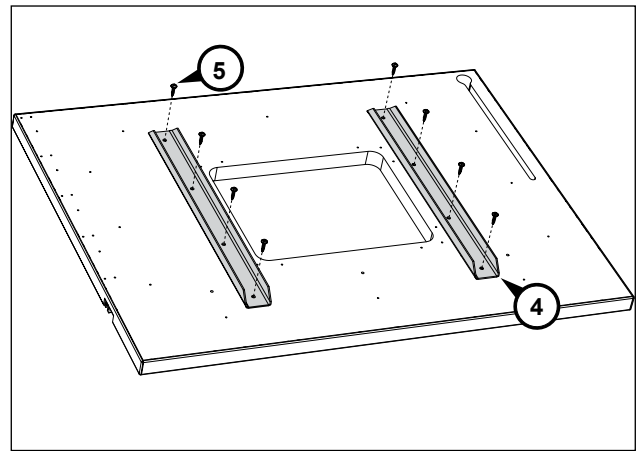
Item#	Description	Kreg Part#	Quantity	Item#	Description	Kreg Part#	Quantity
1	Table top	NK8324	1	10	1/4-20 x 1 1/2" set screws	RT10111	8
2	Combo-Trak	NK8151	1	11	Insert plate	NK8840	1
3	5mm system screws 20mm long	NK8025	3	12	1/4-20 x 1 3/4" flathead machine screws	RT10112	4
4	Struts	RT10171	2	13	1/4-20 x 3/4" set screw	DK1522	1
5	3/4" coarse-thread screws, 8-pack	RT10199	1	14	Starting pin	RT10108	1
6	#2 square driver bit	D6	1	15	1" reducing ring	NK7773	1
7	Insert-plate levelers	RT10100	4	16	Guide-bushing reducing ring	NK7775	1
8	1 1/4" coarse-thread screws	SML-C125	12	17	2 5/8" reducing ring	NK7774	1
9	1/8" hex wrench	AW18	1	18	Ring wrench	NK8003PP	1

Assemble the top

1 The table top (1) is shipped with the combination miter-gauge track/ T-track (2) in place, but fastened only with a plastic rivet. Remove the rivet and secure the track with the system screws (3), driving them into the holes in the table top.

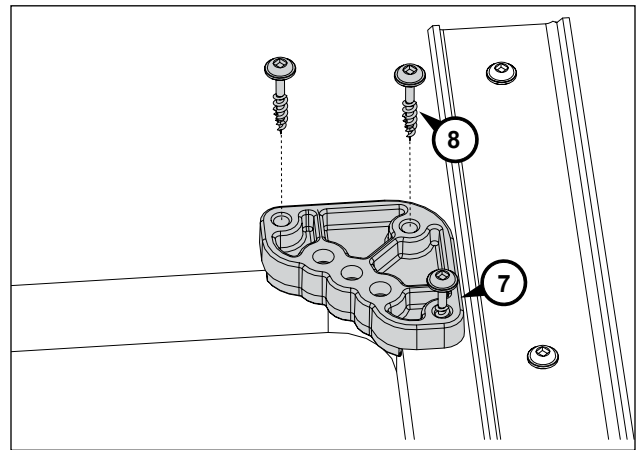


2 Turn the table top upside down. Align the two support struts (4) with holes in the bottom of the table top. Drive $\frac{3}{4}$ " coarse-thread screws (5) with the driver bit (6).

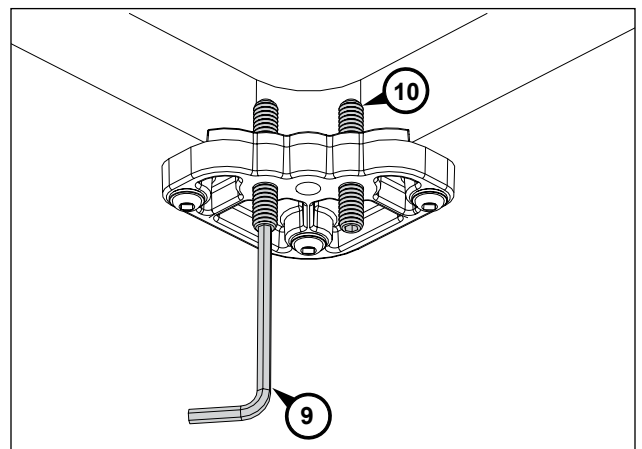


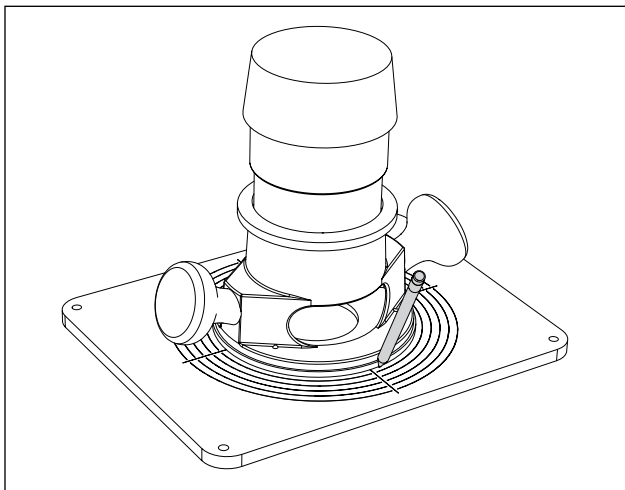
! ATTENTION In this step, use the $\frac{3}{4}$ " screws (5), NOT the $\frac{1}{4}$ " screws (8).

3 Position an insert-plate leveler (7) in each corner of the table-top opening. The holes in the levelers align with holes in the table-top. Fasten the levelers to the tabletop with $\frac{1}{4}$ " coarse-thread screws (8).



4 Using the hex wrench (9), drive a set screw (10) into the outside holes in each leveler, threading them in from the bottom until the tips are $\frac{3}{8}$ " below the table surface.

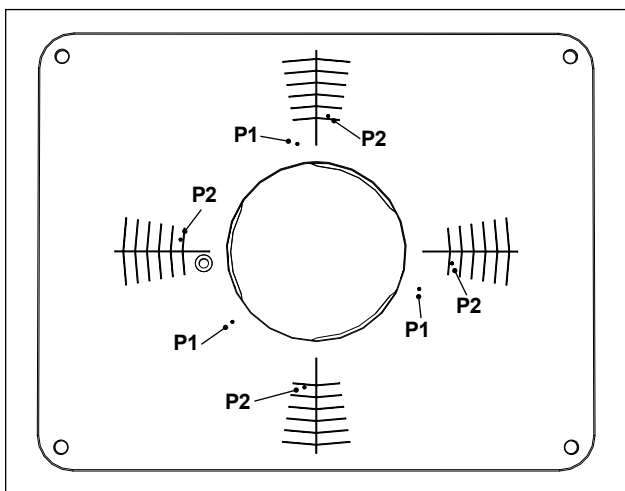




Mount your router to the insert plate

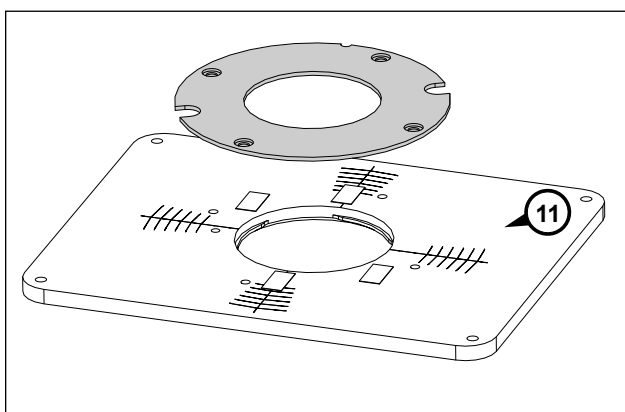
1 Place the insert plate (11) on your workbench with the front edge facing you and the target pattern facing up. Center your router base on the insert-plate target pattern. Adjust the router orientation to provide easy access to the controls when the router and plate are installed in your router table. Make an index mark on the router sub-base and the insert plate.

! ATTENTION To view a free video that shows you how to drill your insert plate, go to www.kregtool.com. You also can have Kreg do the drilling for a fee. For complete information, go to www.kregtool.com/plateprogram.

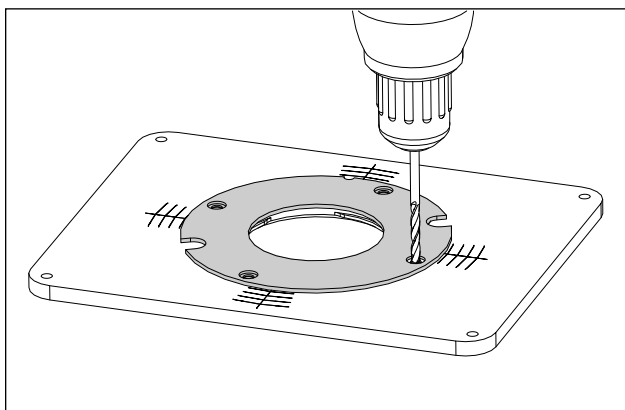


! ATTENTION The included insert plate has center points molded into the bottom face for drilling mounting holes for the following routers: **Pattern 1** (three holes): Bosch 1617 and 1618; DeWalt 616 and 618; Hitachi M12VC; Makita 1100; Milwaukee 5616 and 5624; Porter-Cable 690, 890, 7529, 97529, and 8529; and Ridgid 2930 Combo Kit. **Pattern 2** (four holes): Milwaukee 5625-20; Porter-Cable 7518, 7519, 7538, and 7539; and Triton TRA001 and MOF001. Drill holes and counterbores or countersinks to accommodate the mounting screws supplied with the router. For routers equipped with a built-in lift system, use the router sub-base as a guide for the location and size of the access hole and as a drilling guide.

For routers not covered by **Pattern 1** or **Pattern 2** follow the instructions below.



2 Remove the sub-base from your router and select a drill bit that fits the mounting holes. For routers equipped with a built-in lift system, also select a bit that fits the lift-access hole. Apply several small pieces of double-faced tape to the insert plate. Center the sub-base on the plate, using the target pattern as a guide and aligning the index marks. Make sure that none of the sub-base holes interfere with the threaded hole for the start pin. Press the sub-base firmly onto the insert plate.

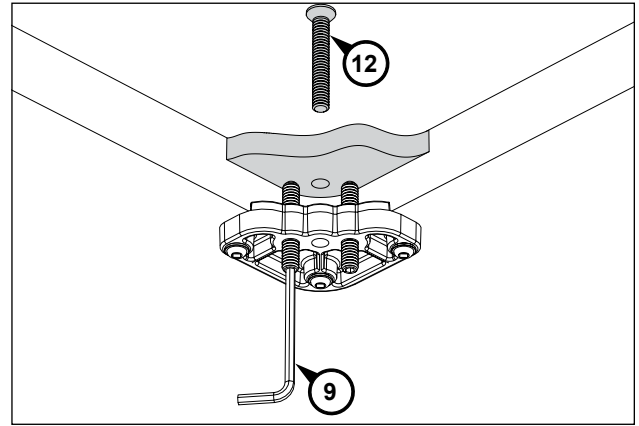


3 Using the holes in the sub-base as guides, drill the holes in the insert plate. For best results, use a drill press. Remove the sub-base from the insert plate. Flip the plate over and countersink the mounting holes.

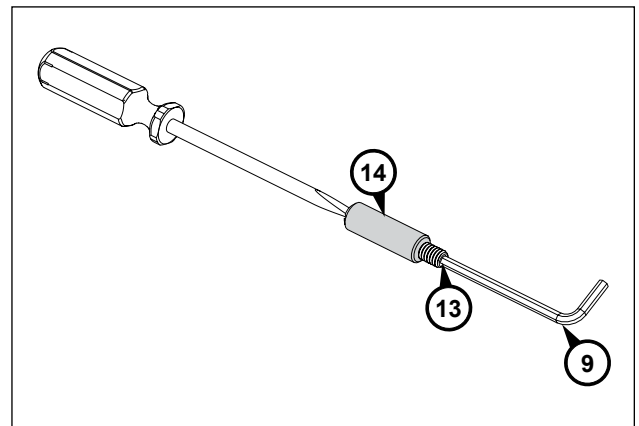
4 Attach the router base to the insert plate, using the screws that were used to attach the sub-base to the router base. Make certain that the screws are long enough to fully thread into the router base. Depending on the thickness of your router sub-base and the type of screw head, it may be necessary to purchase different screws. For fixed-base routers, install the motor unit in the router base.

Install the insert plate

1 Place the insert plate with attached router in the table-top opening, resting it on the plate leveler set screws. Using the hex wrench (9), adjust the set screws from under the table to align the plate and the table surfaces. Make sure all eight set screws are in equal contact with the insert plate. Fasten the insert plate to the levelers with the machine screws (12). Some adjustment of the machine screws and set screws may be necessary to fine-tune the plate alignment.



2 Thread the set screw (13) into the bottom of the starting pin (14) and tighten the assembly with a screwdriver and the hex wrench (9). When ready for use, thread the starting pin assembly into the threaded hole in the insert plate.



! ATTENTION When using the Kreg Precision Router Table Fence PRS1015 on your router table, store the starting pin in the threaded hole at the rear of the clamp block.

Safety Instructions specific to using the Precision Router Table Top fitted with a fence

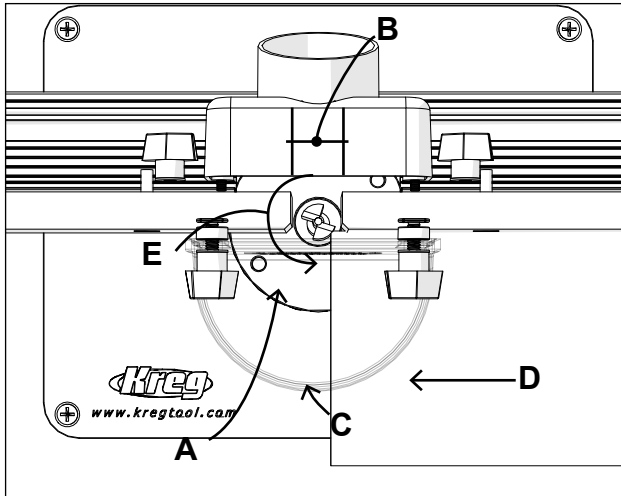
- a) **Read, understand, and follow your router manufacturer's safety warnings and instructions.**
- b) **Disconnect the router from power before making adjustments.** Never adjust the fence, plate, reducing rings, or any part of the router or router table while the router is running.
- c) **Place the router table on a flat surface to prevent tipping or sliding.** Never stand on the router table.
- d) **Do not attempt to rout warped, twisted, or bowed workpieces.** All workpieces must have flat faces and square edges.
- e) **Do not attempt to rout very large workpieces on a router table.** Very large workpieces can be difficult to control and can cause the router table to tip over.
- f) **Only use router bits in your router.** Never use tools such as carving burrs, mounted abrasives, wire wheels, or drill pits, even if the shanks match the diameter of the router collet.
- g) **Wear gloves when handling router bits.** Cutting edges are sharp.
- h) **Never use dirty, dull, or damaged router bits.** Remove wood-resin build-up with a cleaner specifically formulated for cutting tools. Have dull bits sharpened by a qualified person. Discard damaged bits.
- i) **Make sure at least 75% of the router-bit shank length is securely held in the router collet.** To ensure a secure hold, leave 1/16" to 1/8" (2mm-3mm) between the end of the bit shanks and the bottom of the collet.
- j) **Use the insert-plate reducing ring with the smallest opening that allows the bit to pass through it.** A large gap around the bit can allow the workpiece to tip into the bit and kick back.
- k) **Position the fence faces as close as possible to the bit.** Turn the bit by hand to check for interference. Firmly tighten the fence-face T-knobs before routing.
- l) **Adjust router speed to match the diameter of the bit.** Reduce router speed when using large-diameter bits. See Table 2 for recommended router speeds.
- m) **Make sure the router motor is securely clamped in the base before starting the router.**
- n) **Always support the workpiece with the fence or start pin.** Only use the starter pin with router bits that have a guide bearing.
- o) **When using the fence, always position the bit guard over the router bit and as close to the workpiece surface as possible.**
- p) **Never remove a large quantity of stock in one cut.** Make several progressively deeper cuts, adjusting the router bit or fence position between cuts.
- q) **Keep hands away from the rotating bit and your body out of the path of the cut.** Always use the bit guard, Use push sticks, push blocks, and feather boards whenever possible, especially when routing narrow workpieces. Turn off the router before clearing parts of scrap.
- r) **Avoid awkward hand positions, where a sudden slip could cause contact with the rotating bit.** Never overreach.
- s) **Avoid routing small parts.** Rout the profile on a large workpiece and then cut the part to final size from the large workpiece. If you must rout a small part, build an appropriate jig or hold the part with a wood handscrew clamp.
- t) **Make sure the workpiece is clear of the bit and the bit comes to a complete stop before adjusting the workpiece position.** Never start the router with the workpiece in contact with the bit.
- u) **Avoid kickbacks. Kickbacks occur when the workpiece binds or lifts off the table while being routed, causing it to be thrown back toward the operator.** To avoid kickbacks and potential injury, use sharp bits, keep the machine aligned and maintained properly, and adequately support the workpiece. Do not attempt to rout workpieces that are twisted, warped, or bowed, or that have loose knots.
- v) **Feed the workpiece against (not with) the bit rotation.** The bit can grab a workpiece fed with the rotation of the bit, violently eject it from the router table, and can cause your hand to contact the bit.
- w) **Never trap a workpiece between the bit and the fence.** When forming a profile on the straight edge of a workpiece, always rout with the bit housed in the fence and the edge of the workpiece against the fence.

8 Safety Instructions specific to using the Precision Router Table Top fitted with a fence

x) Whenever routing a profile in which material is not being removed below a protruding portion of the bit, or a part of the profile is trapped between cutters above and below, take extra precautions to prevent the workpiece from lifting off the table surface during routing. A workpiece lifting off the table can kick back and cause serious personal injury. When routing these profiles, it is especially important to use straight, flat stock and avoid warped, bowed, or twisted stock.

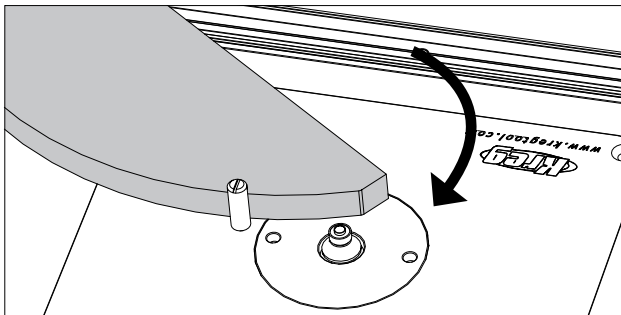
y) Periodically check the tightness of fasteners and adjustment and locking knobs and the alignment of the fence. Loose fasteners and knobs and a misaligned fence can cause personal injury.
z) This router table is designed for a specific application. Do not modify and or use it for any other application. If you have questions relative to the application of the router table, DO NOT use it until you have contacted Kreg Tool Company and have been advised accordingly.

Using your Precision Router Table Top



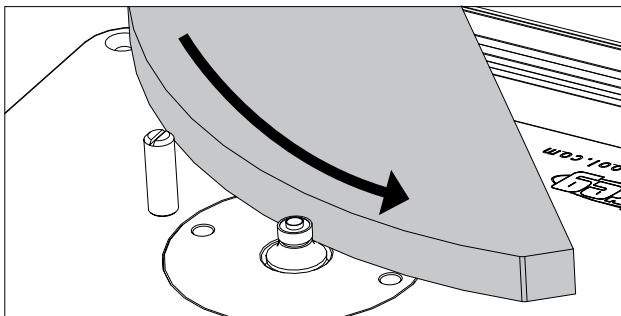
General Routing

(A) Use the insert-plate reducing ring with the smallest opening that allows the bit to pass through it. (B) Position the fence faces as close as possible to the bit. Turn the bit by hand to check for interference. Firmly tighten the fence-face T-knobs before routing. (C) Position the bit guard over the router bit and as close to the workpiece surface as possible. (D) Feed the workpiece against (not with) the (E) the bit rotation.

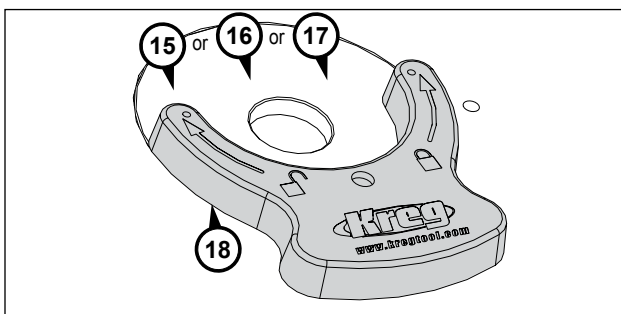


Starting Pin

To use the starting pin, begin with your workpiece touching the pin, but not in contact with the router bit. Slowly pivot the workpiece into the bit until the workpiece makes contact with the bit guide bearing. Always feed the workpiece so the router bit rotates against (not with) the feed direction. With the workpiece in solid contact with the guide bearing, ease the workpiece off of the starting pin and feed the workpiece along the guide bearing.




⚠ WARNING Use the starting pin when routing along curved edges and only with router bits that have a guide bearing. When routing along straight edges, always use the fence.



Reducing Rings

The reducing rings (15, 16, 17) provide flexibility in matching the size of the insert-plate opening to the diameter of the router bit in use. The ring with the rabbeted opening accepts universal-style guide bushings for use in pattern routing. To install a reducing ring, place it in the insert-plate opening and turn it by hand until it drops flush with the plate surface. Rotate the ring counterclockwise with the ring wrench (18) to lock the ring in place.

⚠ WARNING Always use the reducing ring with the smallest possible opening.

 **AVERTISSEMENT** Lorsque vous utilisez des outils électriques, vous devez toujours suivre les consignes de sécurité élémentaires ci-dessous afin de réduire le risque d'incendie, de choc électrique et de blessure. Assurez-vous de lire toutes les instructions avant de tenter d'utiliser cet article. CONSERVEZ CES INSTRUCTIONS.

1) Mesures de sécurité dans l'aire de travail

- L'aire de travail doit être propre et bien éclairée.** Une aire de travail encombrée ou peu éclairée augmente le risque d'accident.
- N'utilisez pas un outil électrique dans un environnement dangereux.** N'utilisez pas un outil électrique dans un endroit mouillé ou humide et ne l'exposez pas à la pluie.
- N'utilisez pas d'outils électriques dans un endroit présentant un risque d'explosion, par exemple en présence de liquides, de vapeurs ou de poussières inflammables.** Les outils électriques produisent des étincelles pouvant enflammer les vapeurs ou les poussières.
- Gardez les enfants et les autres personnes à l'écart lorsque vous utilisez un outil électrique.** Une distraction peut vous faire perdre la maîtrise de l'outil.
- Empêchez les enfants d'accéder à votre atelier.** Utilisez des cadenas et un interrupteur général, ou retirez les clés du commutateur d'allumage.

2) Consignes de sécurité relatives à l'électricité

- Branchez les outils électriques sur une prise mise à la terre. Un outil muni d'une fiche à trois broches ne doit être branché que sur une prise de courant à trois alvéoles mise à la terre.** Si vous ne disposez pas d'une telle prise, demandez à un électricien qualifié d'en installer une. Ne retirez jamais la troisième broche et ne modifiez jamais la fiche.
- N'exposez pas les outils électriques à la pluie ou à tout autre environnement humide.** Les risques de choc électrique sont plus élevés si l'eau s'infiltre dans un outil électrique.
- N'utilisez pas le cordon d'alimentation de façon abusive. Ne transportez jamais un outil électrique en le tenant par son cordon ou ne tirez jamais sur le cordon pour le débrancher. Tenez le cordon d'alimentation éloigné des sources de chaleur, de l'huile, des objets coupants et des pièces mobiles.** Les risques de choc électrique sont plus élevés si le cordon d'alimentation est endommagé ou emmêlé.
- Utilisez une rallonge appropriée et assurez-vous qu'elle est en bon état.** Utilisez une rallonge qui convient au courant consommé par l'outil. Une rallonge de calibre insuffisant entraînera une baisse de la tension secteur, une perte de puissance et une surchauffe. **Le tableau 1** de la page suivante indique le calibre de la rallonge approprié selon la longueur de la rallonge et l'intensité nominale inscrite sur la plaque signalétique de l'outil. En cas de doute, utilisez une rallonge de calibre supérieur. Plus le numéro du calibre est bas, plus la rallonge est résistante.
- Lorsque vous utilisez des outils électriques, évitez de toucher à des surfaces mises à la terre, par exemple un tuyau, un radiateur, une cuisinière ou un réfrigérateur.** Le contact de votre corps avec une surface mise à la terre augmente les risques de choc électrique.

3) Sécurité personnelle

- Soyez vigilant, prêtez attention à ce que vous faites et usez de votre jugement lorsque vous utilisez un outil électrique. N'utilisez pas un outil électrique lorsque vous êtes fatigué ou sous l'effet de drogues, d'alcool ou de médicaments.** Un moment d'inattention pendant que vous utilisez des outils électriques peut occasionner des blessures graves.
- Portez toujours des lunettes de sécurité.** Les lunettes ordinaires ne sont pas des lunettes de sécurité. En plus d'être pourvues d'écrans latéraux, les lunettes de sécurité sont munies d'une monture et de verres spéciaux.
- Utilisez de l'équipement de sécurité.** Portez un masque facial ou un masque antipoussières quand la coupe produit beaucoup de poussière. Le port d'équipement de sécurité, comme un masque antipoussières, des chaussures de sécurité antidérapantes, un casque de protection et des protecteurs auditifs, lorsque les conditions l'exigent, réduit les risques de blessures.
- Évitez les mises en marche accidentelles de l'outil. Assurez-vous que l'interrupteur de l'outil est à la position d'arrêt avant de le brancher.** Le fait de transporter un outil électrique en gardant le doigt sur l'interrupteur ou de le brancher tandis que son interrupteur est en position de marche augmente les risques d'accident.
- Retirez toutes les clés de réglage de l'outil électrique avant de mettre celui-ci en marche.** Une clé de réglage oubliée sur une pièce rotative de l'outil électrique peut occasionner des blessures graves.
- Ne vous étirez pas pour étendre votre portée. Gardez une posture sécuritaire et un bon équilibre en tout temps.** Cela vous permet de mieux maîtriser l'outil électrique lorsque des situations inattendues se présentent.
- Fixez bien la pièce travaillée.** Utilisez des serre-joints ou un étau pour fixer la pièce sur laquelle vous travaillez, au besoin. Cette technique est plus sécuritaire que l'utilisation de vos mains et vous permet de garder les mains libres pour faire fonctionner l'outil.
- Ne vous tenez jamais debout sur l'outil.** Des blessures graves peuvent survenir s'il se renverse ou si l'outil tranchant est accidentellement mis en marche.

- Habillez-vous convenablement. Ne portez pas de vêtements amples ni de bijoux. Gardez vos cheveux, vos vêtements et vos gants loin des pièces mobiles.** Les vêtements amples, les bijoux et les cheveux longs risquent de se prendre dans les pièces mobiles. Roulez vos manches jusqu'aux coudes. Couvrez vos cheveux s'ils sont longs.

j) Si un dispositif permet de raccorder un dépoussiéreur, assurez-vous que celui-ci est branché et utilisé correctement. L'emploi d'un dépoussiéreur contribue à réduire les dangers liés à la poussière.

4) Utilisation et entretien d'un outil électrique

- Gardez les protecteurs en place et en état de fonctionnement.**
- Ne forcez pas l'outil électrique. Utilisez l'outil électrique approprié à l'utilisation que vous envisagez.** L'utilisation de l'outil électrique approprié permet d'obtenir de meilleurs résultats, de façon plus sécuritaire, selon le régime de fonctionnement prévu.
- Utilisez le bon outil.** Ne tentez pas d'utiliser un outil ou l'un de ses accessoires pour effectuer un travail pour lequel il n'est pas conçu.
- N'utilisez pas l'outil électrique si l'interrupteur ne fonctionne pas.** Tout outil qui ne peut pas être contrôlé par l'interrupteur est dangereux et doit être réparé.
- Débranchez la fiche de la prise ou retirez le bloc-piles de l'outil électrique avant d'effectuer des réglages, de changer d'accessoire ou de le ranger.** De telles mesures de sécurité préventives réduisent les risques de mise en marche accidentelle de l'outil électrique.
- Ne laissez jamais l'outil en marche sans surveillance. Coupez l'alimentation électrique.** Ne vous éloignez pas de l'outil tant qu'il ne s'est pas complètement arrêté.
- Rangez les outils électriques inutilisés hors de la portée des enfants et ne laissez pas les personnes ne connaissant pas bien l'outil et ces instructions utiliser l'outil.** Les outils électriques sont dangereux s'ils se retrouvent entre les mains d'utilisateurs qui ne savent pas s'en servir.
- Entretenez les outils électriques. Vérifiez les pièces mobiles pour vous assurer qu'elles ne sont pas désalignées, enrayées, brisées ou dans un état qui pourrait nuire au fonctionnement de l'outil électrique. Si elles sont endommagées, faites-les réparer avant d'utiliser l'outil électrique.** De nombreux accidents sont provoqués par des outils électriques mal entretenus.
- Gardez vos outils tranchants affûtés et propres.** Des outils tranchants bien entretenus et dont les lames sont affûtées risquent moins de se bloquer et sont plus faciles à maîtriser.
- Utilisez la vitesse recommandée pour l'outil de coupe, l'accessoire et la pièce travaillée.**
- N'utilisez que des pièces et des accessoires recommandés par le fabricant.** Consultez la liste des accessoires recommandés dans le guide d'utilisation. L'utilisation d'accessoires inappropriés peut causer des blessures.
- Utilisez l'outil électrique, les accessoires et les embouts conformément aux instructions et aux fins pour lesquelles l'outil a été conçu, en tenant compte des conditions de travail et des tâches à effectuer.** L'utilisation de l'outil électrique à des fins autres que celles pour lesquelles il a été conçu pourrait entraîner une situation dangereuse.

5) Réparation

- Demandez à un technicien qualifié qui utilise seulement des pièces de rechange identiques aux pièces d'origine d'effectuer l'entretien de votre outil électrique.** Vous vous assurez ainsi de respecter les consignes de sécurité de l'outil électrique.

6) Consignes de sécurité propres à l'utilisation du plateau de table à toupie de précision muni d'un guide.

- Veillez lire toutes les instructions et consignes de sécurité du fabricant de votre toupie. Assurez-vous également de les comprendre et de les suivre.**
- Débranchez la toupie avant d'effectuer des réglages.** N'ajustez jamais le guide, le niveau de la plaque, les anneaux de réduction ou toute autre pièce de la toupie ou de la table à toupie pendant que la machine est en marche.
- Placez la table à toupie sur une surface plane afin d'éviter qu'elle glisse ou bascule.** Ne vous tenez jamais debout sur la table à toupie.
- N'essayez pas de toupiller des pièces tordues ou arquées.** Toutes les faces des pièces travaillées doivent être plates et tous leurs bords, droits.
- N'essayez pas de toupiller des pièces de très grand format sur une table à toupie.** Celles-ci sont difficiles à maîtriser et peuvent faire basculer la table à toupie.
- N'utilisez que des mèches de toupie avec votre toupie.** Ne l'utilisez jamais avec des outils comme des râpes de sculpture, des abrasifs, des disques à brosser métalliques ou des forets, même si le diamètre de leurs tiges correspond à celui du mandrin de la toupie.
- Portez des gants pour manipuler les mèches de toupie.** Leurs tranchants sont coupants.
- N'utilisez jamais de mèches de toupie sales, émoussées ou endommagées.**

- Retirez toute accumulation de résine avec un nettoyeur spécialement formulé pour les outils tranchants. Faites aiguiser les mèches émoussées par une personne qualifiée. Jetez toute mèche endommagée.
- i) **Assurez-vous que la tige de la mèche de toupie est enfoncée d'au moins 75 % dans le mandrin de la toupie et qu'elle y est solidement fixée.** Pour une fixation solide, laissez de 2 mm à 3 mm (1/16 po à 1/8 po) entre l'extrémité de la tige des mèches et le fond du mandrin.
 - j) **Utilisez l'anneau de réduction de la plaque d'insertion dont l'ouverture est la plus petite possible, mais reste supérieure au diamètre de la mèche.** En effet, si l'ouverture est trop grande, la pièce travaillée peut basculer vers la mèche et rebondir.
 - k) **Placez la surface du guide le plus près possible de la mèche.** Tournez manuellement la mèche afin de vérifier que rien n'entrave son fonctionnement. Serrez fermement les boutons en T de la surface du guide avant d'utiliser la toupie.
 - l) **Réglez la vitesse de la toupie en fonction du diamètre de la mèche.** Diminuez sa vitesse lors de l'utilisation de mèches de grand diamètre. Consultez le tableau 2 pour connaître les vitesses recommandées.
 - m) **Avant de démarrer le moteur de la toupie, assurez-vous qu'il est solidement fixé à la base.**
 - n) **Tenez toujours la pièce travaillée en place à l'aide du guide ou de la cheville de départ.** N'utilisez la cheville de départ qu'avec les mèches de toupie à roulement-guide.
 - o) **Quand vous utilisez le guide, placez toujours le protecteur de mèche sur la mèche de toupie et le plus près possible de la surface de la pièce travaillée.**
 - p) **Ne retirez jamais une grande quantité de bois en une seule coupe.** Effectuez plutôt plusieurs coupes de plus en plus profondes. Ajustez la position du guide ou de la mèche de toupie entre les coupes.
 - q) **Gardez vos mains éloignées de la mèche en rotation et votre corps hors de la trajectoire de la coupe.** Utilisez toujours le protecteur de mèche. Utilisez des pousoirs, des blocs-pousoirs et des guides d'appui dans la mesure du possible, surtout pour toupiller les pièces étroites. Arrêtez la toupie avant d'enlever les retailles.
 - r) **Évitez de placer les mains à un endroit où elles risquent d'entrer en contact avec la mèche si la pièce travaillée glisse soudainement.** Ne vous étirez jamais pour étendre votre portée.
 - s) **Ne toupillez pas de petites pièces.** Toupillez le profil sur une grande pièce, puis coupez le morceau à la dimension voulue à partir de la grande pièce. Si vous devez absolument toupiller une petite pièce, concevez un gabarit approprié à cette tâche ou fixez la pièce à l'aide d'un serre-joint de bois.
 - t) **Assurez-vous que la mèche est dégagée de la pièce travaillée et qu'elle est complètement arrêtée avant d'ajuster la position de la pièce.** Ne démarrez jamais la toupie si la pièce travaillée est en contact avec la mèche.
 - u) **Évitez les rebonds.** Ceux-ci se produisent lorsque la pièce travaillée se coince ou se soulève pendant qu'elle est engagée dans la toupie, ce qui risque de la projeter vers l'utilisateur. Afin d'éviter les rebonds et possiblement les blessures, utilisez toujours des mèches bien affûtées, maintenez la machine bien alignée et entretenue et placez la pièce travaillée de manière sécuritaire avec un bon support. N'essayez pas de toupiller des pièces tordues, arquées ou qui comportent des nœuds sautants.
 - v) **Faites glisser la pièce travaillée de façon à ce que la mèche tourne dans le sens contraire de l'alimentation.** La mèche pourrait saisir une pièce alimentée dans le sens de rotation de la mèche, l'éjecter violemment de la table à toupie et entraîner un contact entre votre main et la mèche.
 - w) **N'insérez jamais de pièce travaillée entre la mèche et le guide.** Pendant le profilage du bord droit d'une pièce, toupillez toujours avec la mèche insérée dans le guide et le bord de la pièce appuyé contre le guide.
 - x) **Si les matériaux ne sont pas évacués sous la partie saillante de la mèche pendant le profilage, ou si une partie du profil est coincée entre les lames du dessus et du dessous, prenez des précautions particulières pour empêcher la pièce travaillée de se soulever de la table.** Une pièce travaillée qui se soulève de la table peut causer un rebond et de graves blessures. Pendant le profilage, il est particulièrement important d'avoir recours à des pièces droites et plates, et d'éviter celles qui sont tordues ou arquées.
 - y) **Vérifiez périodiquement que les fixations sont bien serrées, que les boutons de blocage sont bien ajustés et que le guide est bien aligné.** Des fixations et des boutons desserrés et un guide mal aligné peuvent causer des blessures.
 - z) **Cette table à toupie est conçue pour une utilisation précise. Ne la modifiez pas et ne l'utilisez pas à d'autres fins.** Si vous avez des questions ayant trait à l'utilisation de la table à toupie, NE L'UTILISEZ PAS avant d'avoir communiqué avec Kreg Tool Company et d'avoir reçu tous les renseignements requis.

Directives liées aux rallonges

Les rallonges ne servent qu'à un usage temporaire. Elles ne remplacent pas la nécessité d'installer des prises ni d'effectuer le câblage, au besoin.

Dans l'atelier ou sur les chantiers de construction :

1. Utilisez des rallonges munies d'un conducteur de mise à la terre en tout temps.
2. Protégez les rallonges contre les dommages. Ne les faites pas passer par les portes ou les fenêtres, car celles-ci pourraient se refermer et endommager les rallonges.
3. Choisissez des rallonges d'un calibre minimal de 16 AWG qui conviennent aux outils que vous utilisez.
4. Inspectez périodiquement les rallonges afin de vous assurer que les fils sont bien isolés et que leur conductivité n'est pas compromise.
5. Ne faites pas passer de rallonges dans l'eau et ne les raccordez pas dans des endroits où de l'eau pourrait s'accumuler.

TABLEAU 1

Plaque signalétique Ampères à 120 V	Longueur de la rallonge					
	7,62 m	15,24 m	22,86 m	30,48 m	45,72 m	60,96 m
	Calibre de câble recommandé					
0 - 5	16	16	16	14	12	12
5.1 - 8	16	16	14	12	10	NR
8.1 -12	14	14	12	10	NR	NR
12.1 - 16	12	12	NR	NR	NR	NR

NR : non recommandé

TABLEAU 2

Vitesses recommandées pour les mèches de toupie	
Diamètre de la mèche	Vitesse maximale (tr/min)
Jusqu'à 25 mm (1 po)	24 000
32 mm - 51 mm (1¼ po à 2 po)	18 000
57 mm - 64 mm (2¼ po à 2½ po)	16 000
76 mm - 89 mm (3 po à 3½ po)	12 000

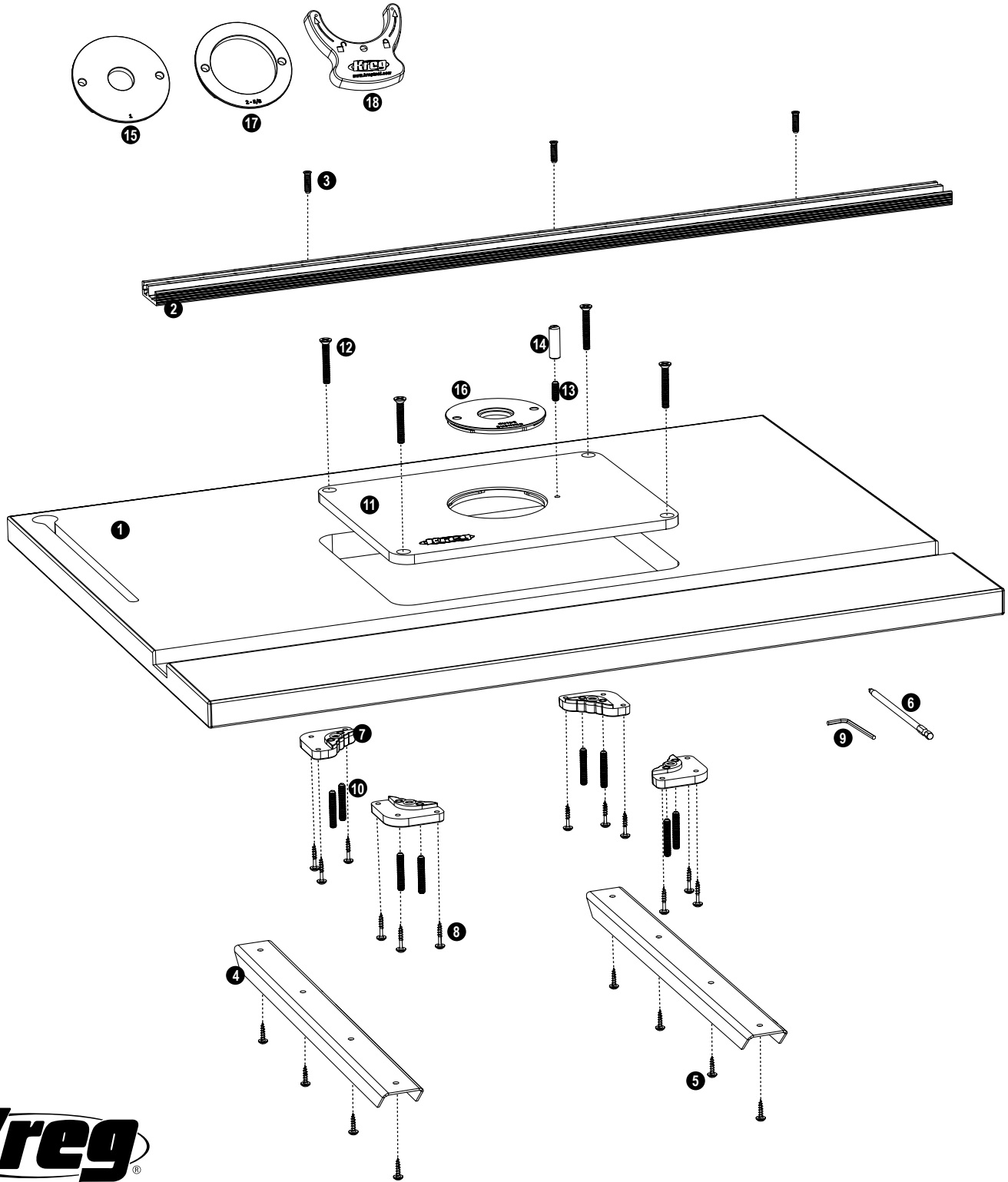
Suivez toujours les recommandations en matière de vitesse du fabricant de la mèche. Certaines mèches nécessitent une vitesse précise pour des raisons de sécurité et de performance.

⚠ Avertissement : Cet article peut vous exposer à des produits chimiques, notamment à l'acrylonitrile et à d'autres produits chimiques reconnus par l'État de la Californie comme étant la cause de cancers et de problèmes liés aux fonctions reproductrices. Pour plus de renseignements, rendez-vous au www.P65Warnings.ca.gov.

⚠ Avertissement : Le perçage, le sciage, le ponçage et l'usinage des produits en bois peuvent vous exposer à de la poussière de bois, une substance reconnue par l'État de la Californie comme étant la cause de cancers. Évitez d'inhaler la poussière de bois ou utilisez un masque antipoussières ou d'autres mesures de sécurité pour vous protéger. Pour plus de renseignements, rendez-vous au www.P65Warnings.ca.gov/wood.

Si vous avez besoin d'aide concernant les articles Kreg, communiquez avec nous sur notre site Web ou appelez notre service à la clientèle.

www.kregtool.com • 800.447.8638

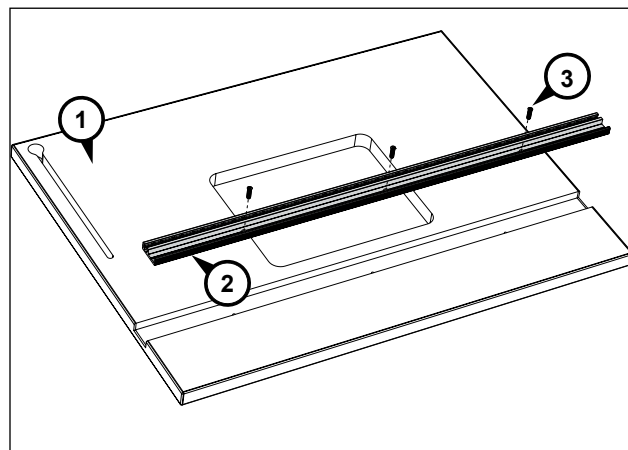


Pièces

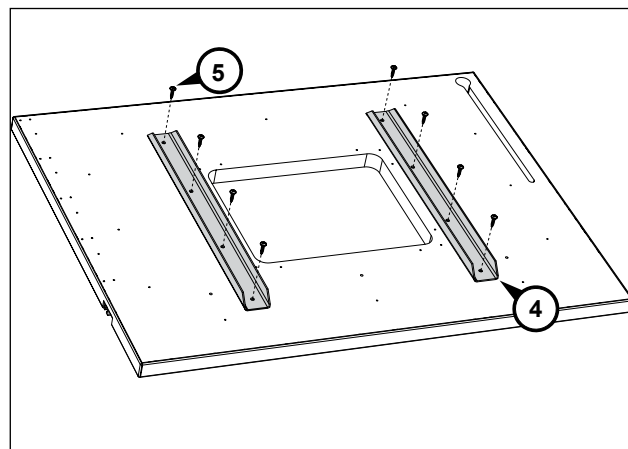
Article	Description	N° de pièce Kreg	Quantité	Article	Description	N° de pièce Kreg	Quantité
1	Plateau	NK8324	1	10	Vis de calage de ¼-20 x 1½ po	RT10111	8
2	Coulisse Combo-Trak	NK8151	1	11	Plaque d'insertion	NK8840	1
3	Vis du système de 5 mm et de 20 mm de longueur	NK8025	3	12	Vis à métaux à tête plate de ¼-20 x 1¼ po	RT10112	4
4	Entretoises	RT10171	2	13	Vis de calage de ¼-20 x ¾ po	DK1522	1
5	Vis à filetage normal de ¾ po, paquet de 8	RT10199	1	14	Démarrage l'ancre	RT10108	1
6	Embout de tournevis carré n° 2	D6	1	15	Anneau de réduction de 1 po	NK7773	1
7	Patins réglables pour plaque d'insertion	RT10100	4	16	Anneau de réduction pour douille de guidage	NK7775	1
8	Vis à filetage normal de 1¼ po	SML-C125	12	17	Anneau de réduction de 2½ po	NK7774	1
9	Clé hexagonale de ⅜ po	AW18	1	18	Clé pour anneau	NK8003PP	1

Assemblage du plateau

1 Au moment de l'expédition de l'article, la coulisse combinée pour guide d'onglet et coulisse en T (2) est en place sur le plateau (1), mais elle est fixée uniquement à l'aide d'un rivet en plastique. Retirez le rivet et fixez la coulisse à l'aide de la vis du système (3), en les vissant dans les trous prépercés du plateau.

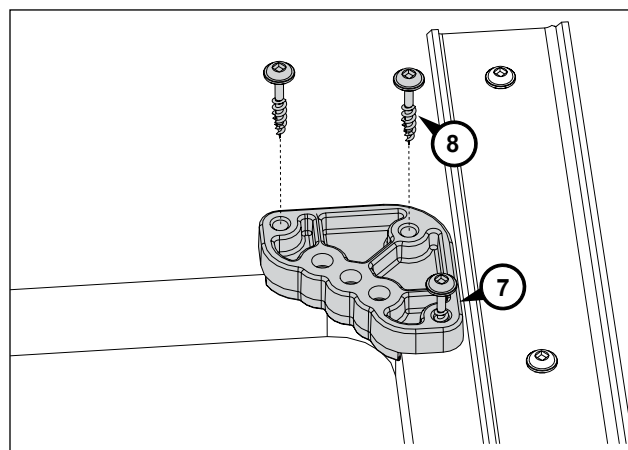


2 Tournez le plateau à l'envers. Alignez les deux entretoises de soutien (4) sur les trous situés sous le plateau. Insérez-y les vis à filetage normal de 3/4 po (5) et serrez-les à l'aide de l'embout de tournevis (6).

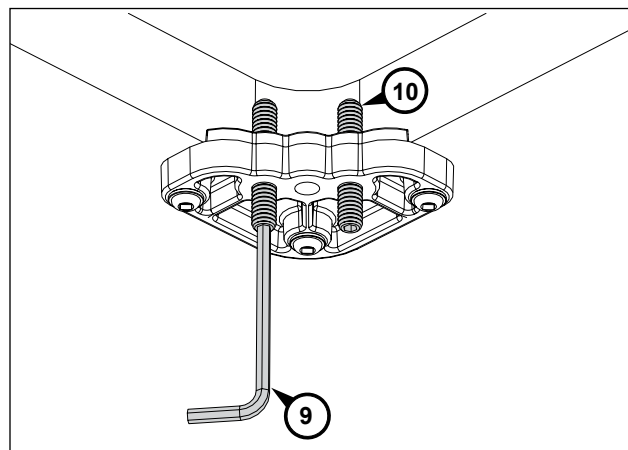


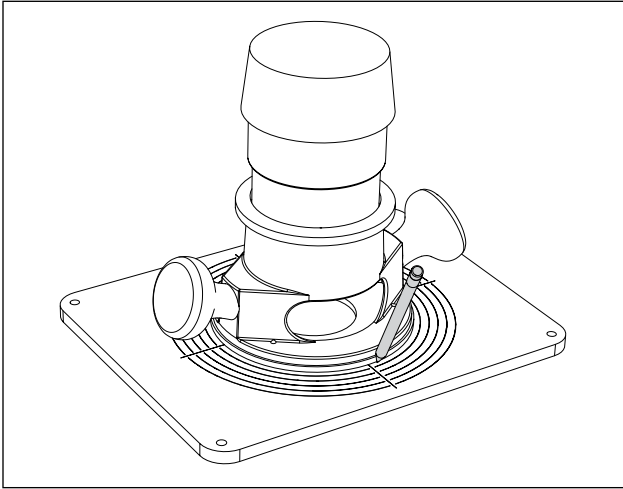
ATTENTION : À cette étape, assurez-vous d'utiliser les vis de 3/4 po (5), et NON les vis de 1 1/4 po (8).

3 Posez un patin réglable pour plaque d'insertion (7) dans chaque coin de l'ouverture du plateau. Les trous des patins s'alignent sur les avant-trous du plateau. Fixez les patins au plateau à l'aide de vis à filetage normal de 1 1/4 po (8).



4 À l'aide de la clé hexagonale (9), enfoncez une vis de calage (10) dans le trou extérieur de chacun des patins, en la vissant à partir du bas jusqu'à ce que son extrémité soit située à 9,52 mm en dessous de la surface de la table.

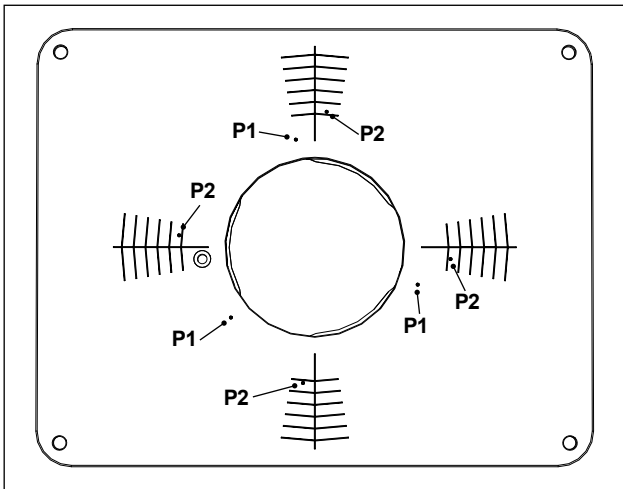




Assemblage de la toupie à la plaque d'insertion

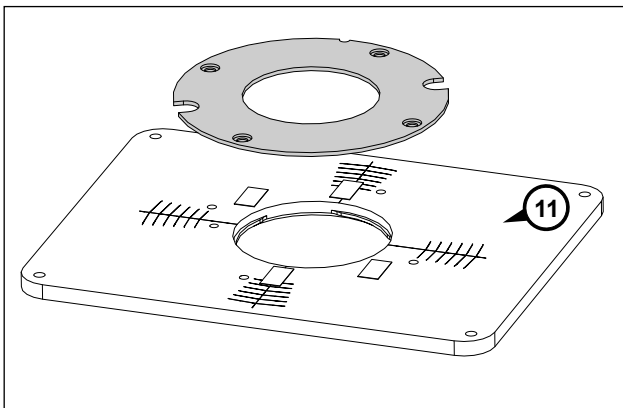
1 Placez la plaque d'insertion (11) sur votre établi, en orientant le bord avant vers vous et le motif de cible vers le haut. Centrez la base de toupie sur le motif de cible de la plaque d'insertion. Réglez l'orientation de la toupie de façon à pouvoir accéder facilement aux commandes une fois que la toupie et la plaque seront installées dans votre table à toupie. Faites une marque sur la sous-base de toupie et la plaque d'insertion.

⚠ ATTENTION Pour visionner gratuitement une vidéo qui vous montre comment percer votre plaque d'insertion, visitez le site www.kregtool.com. Kreg offre également un service de perçage moyennant des frais. Pour obtenir de plus amples renseignements, visitez le site www.kregtool.com/plateprogram.

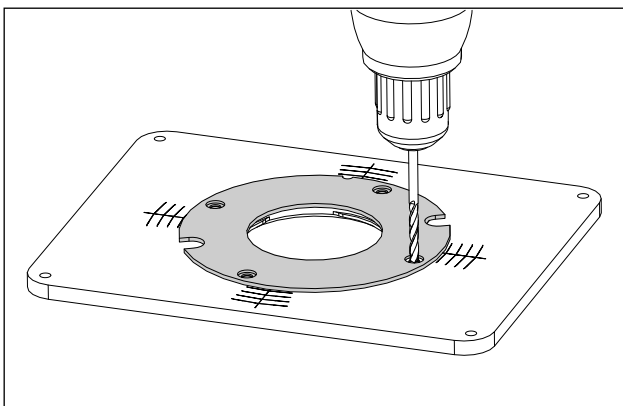


⚠ ATTENTION Le dessous de la plaque d'insertion incluse est muni de points centraux moulés permettant le perçage de trous de montage pour les toupies suivantes : **Motif 1** (trois trous) : Bosch 1617 et 1618; DeWalt 616 et 618; Hitachi M12VC; Makita 1100; Milwaukee 5616 et 5624; Porter-Cable 690, 890, 7529, 97529 et 8529; ensemble Ridgid 2930. **Motif 2** (quatre trous) : Milwaukee 5625-20; Porter-Cable 7518, 7519, 7538 et 7539; Triton TRA001 et MOF001. Percez des trous, fraisez ou faites des trous chambrés correspondants aux vis de montage fournies avec la toupie. Si votre toupie est munie d'un dispositif de levage intégré, utilisez la sous-base de cette dernière comme guide de perçage et pour déterminer l'emplacement et la taille du trou d'accès.

Si votre toupie n'est pas en mesure d'effectuer les **motifs 1 et 2**, suivez les **étapes 2 et 3** ci-dessous.



2 Retirez la sous-base de votre toupie et sélectionnez un foret qui convient aux trous de montage. Si votre toupie est munie d'un dispositif de levage intégré, sélectionnez également une mèche qui convient au trou d'accès du dispositif de levage. Appliquez plusieurs petits morceaux de ruban adhésif à double face sur la plaque d'insertion. Centrez la sous-base sur la plaque en utilisant le motif de cible comme guide et en alignant les marques. Assurez-vous qu'aucun des trous de la sous-base que vous vous apprêtez à percer n'est aligné sur le trou fileté de la cheville de départ. Pressez fermement la sous-base contre la plaque d'insertion.

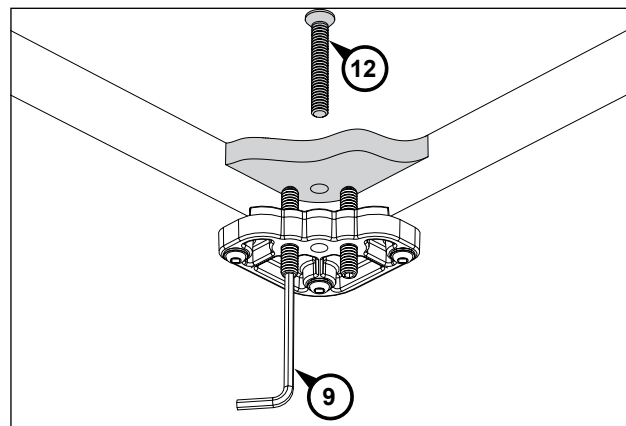


3 En utilisant les trous de la sous-base comme guides, percez des trous dans la plaque d'insertion. Pour des résultats optimaux, utilisez une perceuse à colonne. Retirez la sous-base de la plaque d'insertion. Retournez la plaque et fraisez les trous de montage.

4 Fixez la base de toupie à la plaque d'insertion à l'aide des vis ayant servi à fixer la sous-base à la base de toupie. Assurez-vous que les vis sont assez longues pour s'enfoncer complètement dans la base de toupie. Selon l'épaisseur de la sous-base de toupie et le type de tête de vis, il pourrait être nécessaire de vous procurer des vis différentes. Pour les toupies à base fixe, posez le moteur dans la base de toupie.

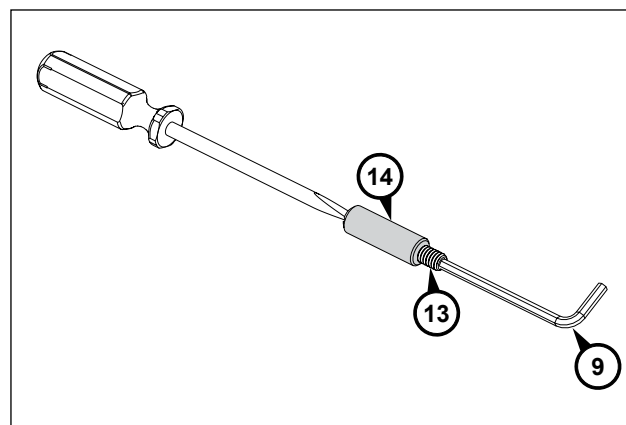
Installation de la plaque d'insertion

1 Placez la plaque d'insertion munie de la toupie dans l'ouverture du plateau, sur les vis de calage des patins réglables pour plaque d'insertion. À l'aide de la clé hexagonale (9), ajustez les vis de calage sous la table de façon à aligner les surfaces de la plaque et de la table. Assurez-vous que les huit vis de calage entrent en contact avec la plaque d'insertion de façon uniforme. Fixez la plaque d'insertion aux patins réglables à l'aide des vis à métaux (12). Vous devrez peut-être apporter quelques ajustements aux vis à métaux et aux vis de calage pour régler l'alignement de la plaque.



2 Vissez la vis de calage (13) au bas de la cheville de départ (14) et serrez l'ensemble à l'aide d'un tournevis et de la clé hexagonale (9). Vissez l'ensemble de la cheville de départ dans le trou fileté de la plaque d'insertion.

ATTENTION! Lorsque vous utilisez le guide de table à toupie de précision de Kreg PRS1015 avec votre table à toupie, insérez la cheville de départ dans le trou fileté situé à l'arrière du bloc de serrage.



Consignes de sécurité propres à l'utilisation du plateau de table à toupie de précision muni d'un guide

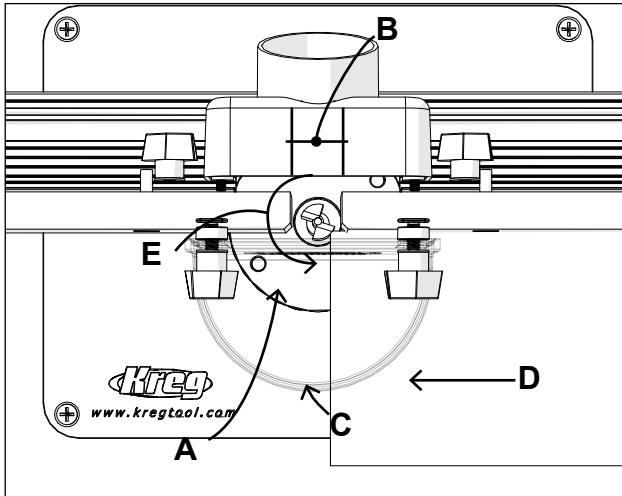
- a) Veuillez lire toutes les instructions et consignes de sécurité du fabricant de votre toupie. Assurez-vous également de les comprendre et de les suivre.
- b) Débranchez la toupie avant d'effectuer des réglages. N'ajustez jamais le guide, le niveau de la plaque, les anneaux de réduction ou toute autre pièce de la toupie ou de la table à toupie pendant que la machine est en marche.
- c) Placez la table à toupie sur une surface plane afin d'éviter qu'elle glisse ou bascule. Ne vous tenez jamais debout sur la table à toupie.
- d) N'essayez pas de toupiller des pièces tordues ou arquées. Toutes les faces des pièces travaillées doivent être plates et tous leurs bords, droits.
- e) N'essayez pas de toupiller des pièces de très grand format sur une table à toupie. Celles-ci sont difficiles à maîtriser et peuvent faire basculer la table à toupie.
- f) N'utilisez que des mèches de toupie avec votre toupie. Ne l'utilisez jamais avec des outils comme des râpes de sculpture, des abrasifs, des disques à broser métalliques ou des forets, même si le diamètre de leurs tiges correspond à celui du mandrin de la toupie.
- g) Portez des gants pour manipuler les mèches de toupie. Leurs tranchants sont coupants.
- h) N'utilisez jamais de mèches de toupie sales, émoussées ou endommagées. Retirez toute accumulation de résine avec un nettoyant spécialement formulé pour les outils tranchants. Faites aiguiser les mèches émoussées par une personne qualifiée. Jetez toute mèche endommagée.
- i) Assurez-vous que la tige de la mèche de toupie est enfoncée d'au moins 75 % dans le mandrin de la toupie et qu'elle y est solidement fixée. Pour une fixation solide, laissez 2 mm à 3 mm (1/16 po à 1/8 po) entre l'extrémité de la tige des mèches et le fond du mandrin.
- j) Utilisez l'anneau de réduction de la plaque d'insertion dont l'ouverture est la plus petite possible, mais reste supérieure au diamètre de la mèche. En effet, si l'ouverture est trop grande, la pièce travaillée peut basculer vers la mèche et rebondir.
- k) Placez la surface du guide le plus près possible de la mèche. Tournez manuellement la mèche afin de vérifier que rien n'entrave son fonctionnement. Serrez fermement les boutons en T de la surface du guide avant d'utiliser la toupie.
- l) Réglez la vitesse de la toupie en fonction du diamètre de la mèche. Diminuez sa vitesse lors de l'utilisation de mèches de grand diamètre. Consultez le tableau 2 pour connaître les vitesses recommandées.
- m) Avant de démarrer le moteur de la toupie, assurez-vous qu'il est solidement fixé à la base.
- n) Tenez toujours la pièce travaillée en place à l'aide du guide ou de la cheville de départ. N'utilisez la cheville de départ qu'avec les mèches de toupie à roulement-guide.
- o) Quand vous utilisez le guide, placez toujours le protecteur de mèche sur la mèche de toupie et le plus près possible de la surface de la pièce travaillée.
- p) Ne retirez jamais une grande quantité de bois en une seule coupe. Effectuez plutôt plusieurs coupes de plus en plus profondes. Ajustez la position du guide ou de la mèche de toupie entre les coupes.
- q) Gardez vos mains éloignées de la mèche en rotation et votre corps hors de la trajectoire de la coupe. Utilisez toujours le protecteur de mèche. Utilisez des pousoirs, des blocs-pousoirs et des guides d'appui dans la mesure du possible, surtout pour toupiller les pièces étroites. Arrêtez la toupie avant d'enlever les retailles.
- r) Évitez de placer les mains à un endroit où elles risquent d'entrer en contact avec la mèche si la pièce travaillée glisse soudainement. Ne vous étirez jamais pour étendre votre portée.
- s) Ne toupillez pas de petites pièces. Toupillez le profil sur une grande pièce, puis coupez le morceau à la dimension voulue à partir de la grande pièce. Si vous devez absolument toupiller une petite pièce, concevez un gabarit approprié à cette tâche ou fixez la pièce à l'aide d'un serre-joint de bois.
- t) Assurez-vous que la mèche est dégagée de la pièce travaillée et qu'elle est complètement arrêtée avant d'ajuster la position de la pièce. Ne démarrez jamais la toupie si la pièce travaillée est en contact avec la mèche.
- u) Évitez les rebonds. Ceux-ci se produisent lorsque la pièce travaillée se coince ou se soulève pendant qu'elle est engagée dans la toupie, ce qui risque de la projeter vers l'utilisateur. Afin d'éviter les rebonds et possiblement les blessures, utilisez toujours des mèches bien affûtées, maintenez la machine bien alignée et entretenue et placez la pièce travaillée de manière sécuritaire avec un bon support. N'essayez pas de toupiller des pièces tordues, arquées ou qui comportent des nœuds sautants.
- v) Faites glisser la pièce travaillée de façon à ce que la mèche tourne dans le sens contraire de l'alimentation. La mèche pourrait saisir une pièce alimentée dans le sens de rotation de la mèche, l'éjecter violemment de la table à toupie et entraîner un contact entre votre main et la mèche.
- w) N'insérez jamais de pièce travaillée entre la mèche et le guide.
- x) Si les matériaux ne sont pas évacués sous la partie saillante de la mèche pendant le profilage, ou si une partie du profil est coincée entre les lames du dessus et du dessous, prenez des précautions particulières pour empêcher la pièce travaillée de se soulever de la table. Une pièce travaillée qui se soulève

de la table peut causer un rebond et de graves blessures. Pendant le profilage, il est particulièrement important d'avoir recours à des pièces droites et plates, et d'éviter celles qui sont tordues ou arquées.

y) **Vérifiez périodiquement que les fixations sont bien serrées, que les boutons de blocage sont bien ajustés et que le guide est bien aligné.** Des fixations et des boutons desserrés et un guide mal aligné peuvent causer des blessures.

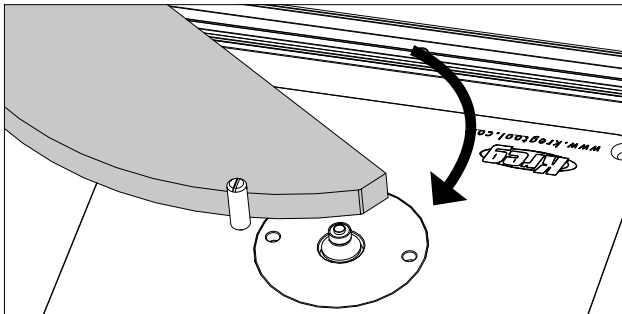
z) **Cette table à toupie est conçue pour une utilisation précise. Ne la modifiez pas et ne l'utilisez pas à d'autres fins.** Si vous avez des questions ayant trait à l'utilisation de la table à toupie, ne l'utilisez PAS avant d'avoir communiqué avec Kreg Tool Company et d'avoir reçu tous les renseignements requis.

Utilisation de votre plateau de table à toupie de précision



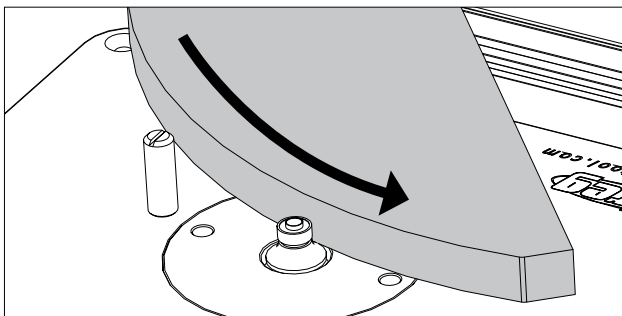
Fonctionnement normal de la toupie

(A) Utilisez l'anneau de réduction de la plaque d'insertion dont l'ouverture est la plus petite possible, mais reste supérieure au diamètre de la mèche. (B) Placez la surface du guide le plus près possible de la mèche. Tournez manuellement la mèche afin de vérifier que rien n'entrave son fonctionnement. Serrez fermement les boutons en T de la surface du guide avant d'utiliser la toupie. (C) Placez le protecteur de mèche sur la mèche de toupie et le plus près possible de la surface de la pièce travaillée. (D) Faites glisser la pièce travaillée de façon à ce que la mèche de toupie tourne dans le sens contraire (E) de l'alimentation.

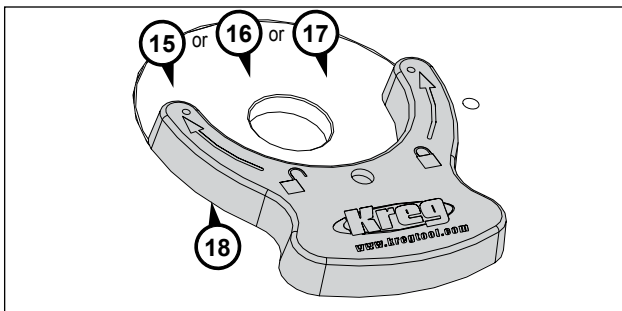


Cheville de départ

Pour utiliser la cheville de départ, appuyez d'abord la pièce travaillée sur la cheville de départ, mais non sur la mèche de toupie. Faites pivoter lentement la pièce travaillée vers la mèche jusqu'à ce qu'elle entre en contact avec le roulement-guide. Faites toujours glisser la pièce travaillée de façon à ce que la mèche de toupie tourne dans le sens contraire de l'alimentation. Une fois que la pièce travaillée est solidement en contact avec le roulement-guide, vous pouvez décoller la pièce travaillée de la cheville de départ et la laisser glisser le long du roulement-guide.




⚠ AVERTISSEMENT Pour découper des bords courbés, utilisez la cheville de départ avec des mèches de toupie à roulement-guide seulement. Pour découper des bords droits, utilisez toujours le guide.



Anneaux de réduction

Les anneaux de réduction (15, 16 et 17) offrent plus de souplesse quant à l'agencement de la taille de l'ouverture de la plaque d'insertion avec le diamètre de la mèche de toupie utilisée. L'anneau muni d'une ouverture à feuillure convient aux douilles de guidage de style universel; vous pouvez donc utiliser votre table à toupie pour le toupillage de motifs. Pour installer un anneau de réduction, faites-le glisser dans l'ouverture de la plaque d'insertion et tournez-le à la main jusqu'à ce qu'il soit de niveau par rapport à la surface de la plaque. Pour fixer l'anneau, tournez-le dans le sens contraire des aiguilles d'une montre à l'aide de la clé à anneaux (18).

⚠ AVERTISSEMENT Utilisez toujours les anneaux de réduction avec les plus petites ouvertures possibles.

 **ADVERTENCIA** Cuando utilice herramientas eléctricas, siempre debe seguir las siguientes precauciones de seguridad para reducir el riesgo de incendios, las descargas eléctricas y las lesiones personales. Lea todas estas instrucciones antes de hacer funcionar este producto. **GUARDE ESTAS INSTRUCCIONES.**

1) Seguridad en el área de trabajo

- Mantenga el área de trabajo limpia y bien iluminada. Las áreas desordenadas u oscuras aumentan las posibilidades de accidentes.
- No utilice herramientas eléctricas en entornos peligrosos. No utilice herramientas eléctricas en áreas húmedas o mojadas ni las exponga a la lluvia.
- No utilice herramientas eléctricas en atmósferas en las que exista riesgo de explosión, como por ejemplo, en presencia de líquidos, gases o polvo inflamable. Las herramientas eléctricas producen chispas que pueden encender los vapores o el polvo.
- Mantenga a los niños y transeúntes alejados durante la operación de una herramienta eléctrica. Las distracciones pueden hacerle perder el control.
- Convierta su taller en un lugar a prueba de niños. Utilice candados, interruptores maestros, o retire las llaves de arranque.

2) Seguridad eléctrica

- Enchufe las herramientas eléctricas a un tomacorriente con puesta a tierra. Si la herramienta está equipada con un enchufe de tres clavijas, debe enchufarse solo en un tomacorriente de tres orificios con puesta a tierra. Si no se cuenta con un tomacorriente adecuado, pídale a un electricista calificado que instale uno. Nunca retire la tercera clavija ni modifique de ninguna manera el enchufe que viene con la herramienta.
- No exponga las herramientas eléctricas a la lluvia o a condiciones de humedad. Si ingresa agua en una herramienta eléctrica, aumentará el riesgo de descarga eléctrica.
- No maltrate el cable. Nunca use el cable para transportar, jalar o desenchufar la herramienta eléctrica. Mantenga el cable alejado del calor, el aceite, los bordes filosos o las piezas en movimiento. Los cables dañados o enredados aumentan el riesgo de descarga eléctrica.
- Utilice una extensión eléctrica adecuada y asegúrese de que esté en buen estado. Cuando utilice una extensión eléctrica, asegúrese de utilizar una que sea lo suficientemente resistente como para conducir la corriente que la herramienta eléctrica necesita. Un cable de tamaño menor que el requerido causará una baja en el voltaje de la línea. Esto podría provocar un corte de energía y sobrecalentamiento. La tabla 1 de la página siguiente muestra el calibre de cable correcto según el largo del cable y el amperaje que figura en la placa de datos de la herramienta. Si tiene dudas, utilice el siguiente calibre más resistente. Mientras más bajo sea el número del calibre, más resistente debe ser el cable.
- Cuando utilice herramientas eléctricas, evite el contacto del cuerpo con superficies conectadas a tierra, como tuberías, radiadores, estufas de cocina o refrigeradores. El contacto con una superficie conectada a tierra aumenta el riesgo de una descarga eléctrica.

3) Seguridad personal

- Manténgase alerta, observe lo que hace y actúe con sentido común al operar una herramienta eléctrica. No utilice una herramienta eléctrica si está cansado o bajo los efectos de drogas, alcohol o medicamentos. Un momento de desatención mientras opera herramientas eléctricas puede provocar lesiones personales graves.
- Siempre use gafas de seguridad. Los lentes de uso diario no son gafas de seguridad. Las gafas de seguridad tienen lentes, marcos y protectores laterales especiales.
- Utilice elementos de seguridad. Use una protección o mascarilla antipolvo si se desprende demasiado polvo en la operación de corte. El equipo de seguridad, como mascarillas antipolvo, zapatos de seguridad antideslizantes, casco o protección auditiva, que se usa para crear condiciones apropiadas reduce las lesiones personales.
- Evite los arranques accidentales. Asegúrese de que el interruptor esté en la posición de apagado antes de enchufarlo. Transportar herramientas eléctricas con el dedo en el interruptor o enchufar herramientas eléctricas que tienen el interruptor encendido aumentan las posibilidades de accidentes.
- Retire todas las llaves de ajuste o llaves inglesas antes de encender la herramienta eléctrica. Si se deja una llave inglesa o una llave conectada a una pieza giratoria de la herramienta eléctrica, se pueden producir lesiones personales.
- No se extienda demasiado. Mantenga una posición y un equilibrio adecuados en todo momento. Esto permite un mejor control de la herramienta eléctrica en situaciones inesperadas.
- Asegure las piezas de trabajo. Use abrazaderas o una prensa para sostener la pieza de trabajo cuando sea práctico. Es más seguro que usar las manos y de este modo ambas manos quedan libres para operar la herramienta.
- Nunca se pare sobre la máquina. Si la herramienta se voltea o si toca accidentalmente la herramienta de corte, se pueden producir lesiones graves.
- Use ropa adecuada. No use ropa holgada ni joyas. Mantenga el cabello, la ropa y los guantes lejos de las piezas en movimiento. La ropa holgada, las joyas o el cabello largo pueden quedar atrapados en las piezas en movimiento. Arremánguese hasta el codo. Use una malla protectora para contener el cabello largo.

- Si se proporcionan dispositivos para la conexión de equipos de extracción y recolección de polvo, asegúrese de que se conecten y se usen adecuadamente. El uso de estos dispositivos puede disminuir los peligros relacionados con el polvo.

4) Uso y cuidado de herramientas eléctricas

- Mantenga las protecciones en su lugar y en buenas condiciones de funcionamiento.
- No fuerce la herramienta eléctrica. Utilice la herramienta eléctrica adecuada para su aplicación. La herramienta eléctrica adecuada realizará un trabajo más seguro y de mejor calidad al ritmo para el que fue diseñada.
- Utilice la herramienta correcta. No fuerce una herramienta o un accesorio a hacer un trabajo para el que no fueron diseñados.
- No utilice la herramienta eléctrica si el interruptor no enciende o se apaga. Cualquier herramienta eléctrica que no pueda controlarse con el interruptor es peligrosa y debe repararse.
- Desconecte el enchufe de la fuente de alimentación o batería de la herramienta eléctrica antes de realizar cualquier ajuste, cambiar accesorios o almacenar herramientas eléctricas. Este tipo de medidas de seguridad preventivas reduce el riesgo de arranques accidentales de la herramienta eléctrica.
- Nunca deje una herramienta en funcionamiento sin supervisión. Apague la herramienta eléctrica. No suelte la herramienta hasta que no se detenga completamente.
- Almacene las herramientas eléctricas que no estén en uso fuera del alcance de los niños y no permita que personas que no estén familiarizadas con la herramienta ni con estas instrucciones la utilicen. Las herramientas eléctricas son peligrosas en manos de usuarios sin capacitación.
- Realice mantenimiento a las herramientas eléctricas. Revise si hay desalineación o agarrotamiento de piezas móviles o piezas rotas, así como cualquier otra condición que pueda afectar el funcionamiento de la herramienta eléctrica. Si se daña la herramienta eléctrica, hágala reparar antes de usarla. Muchos accidentes son producto del mantenimiento incorrecto de las herramientas eléctricas.
- Mantenga las herramientas de corte afiladas y limpias. Las herramientas de corte que se mantienen adecuadamente, con sus bordes de corte afilados, tienen un riesgo menor de trabarse y son más fáciles de controlar.
- Utilice la velocidad recomendada para la herramienta de corte o el accesorio y el material de la pieza de trabajo.
- Solo use piezas y accesorios recomendados por el fabricante. Consulte el manual del propietario para conocer los accesorios recomendados. Usar accesorios incorrectos puede causar lesiones personales.
- Utilice la herramienta, accesorios y brocas según estas instrucciones y de la manera adecuada para el tipo particular de herramienta eléctrica, considerando las condiciones de trabajo y el trabajo que se va a realizar. El uso de la herramienta eléctrica en operaciones para las que no fue diseñada podría crear una situación de peligro.

5) Reparación

- Permita que solo una persona capacitada repare la herramienta eléctrica, utilizando solo piezas de repuesto idénticas. Esto mantendrá la seguridad de la herramienta eléctrica.

6) Instrucciones de seguridad específicas para el uso de la cubierta de mesa para rebajadora de precisión que se adapta con una guía.

- Lea, comprenda y siga las instrucciones y las advertencias de seguridad del fabricante de la rebajadora.
- Desconecte la rebajadora de la fuente de alimentación antes de realizar ajustes. Nunca ajuste la guía, la placa, los anillos reductores o cualquier otra pieza de la rebajadora o de la mesa para rebajadora mientras la rebajadora está funcionando.
- Coloque la mesa para rebajadora sobre una superficie plana para evitar que se vuelque o resbale. Nunca se pare sobre la mesa para rebajadora.
- No intente rebajar piezas de trabajo deformes, torcidas o curvadas. Todas las piezas de trabajo deben tener lados planos y bordes cuadrados.
- No intente rebajar piezas de trabajo muy grandes en una mesa rebajadora. Las piezas de trabajo muy grandes pueden ser difíciles de controlar y pueden hacer que la mesa rebajadora se voltee.
- Solo utilice brocas para rebajadoras en la rebajadora. Nunca utilice herramientas como rebabas para tallar, abrasivos montados, discos de alambre o brocas, aunque los vástagos se ajusten al diámetro del mandril de la rebajadora.
- Utilice guantes para manipular las brocas para rebajadora. Los bordes de corte son filosos.
- Nunca utilice brocas para rebajadora sucias, desafiladas o dañadas. Retire la acumulación de madera y resina con un limpiador formulado específicamente para herramientas de corte. Pídale a una persona calificada que afile las brocas desafiladas. Deseche las brocas dañadas.

- i) Asegúrese de que al menos el 75% de la longitud del vástago de la broca para rebajadora esté sujeta en el mandril de la rebajadora de manera segura. Para garantizar un agarre seguro, deje de 1/16 pulg. a 1/8 pulg. (2 mm a 3 mm) entre el extremo del vástago de la broca y la parte inferior del mandril.
- j) Utilice el anillo reductor de la placa de accesorio con la apertura más reducida que permite que la broca la atraviese. Un espacio grande alrededor de la broca puede permitir que la pieza de trabajo se voltee dentro de la broca y retroceda.
- k) Ubique las caras de la guía lo más cerca posible de la broca. Gire la broca a mano para revisar si hay interferencias. Apriete firmemente las perillas en T de las caras de la guía antes de realizar el rebajado.
- l) Ajuste la velocidad de la rebajadora para que coincida con el diámetro de la broca. Reduzca la velocidad de la rebajadora cuando utilice brocas de diámetro grande. Consulte la tabla 2 para ver las velocidades de la rebajadora recomendadas.
- m) Asegúrese de que el motor de la rebajadora esté sujeto con firmeza a la base antes de encender la rebajadora.
- n) Siempre dé apoyo a la pieza de trabajo con la guía o con el pasador de inicio. Use el pasador de inicio solo con las brocas para rebajadora que tienen un rodamiento guía.
- o) Cuando utilice la guía, siempre coloque la protección para broca sobre la broca para rebajadora y lo más cerca posible de la superficie de la pieza de trabajo.
- p) Nunca retire una gran cantidad de material en un corte. Realice varios cortes más profundos de manera progresiva y ajuste la broca para rebajadora o la posición de la guía entre cortes.
- q) Mantenga las manos alejadas de la broca giratoria y el cuerpo alejado de su trayectoria. Siempre utilice la protección para broca. Utilice varillas de empuje, bloques de empuje y tablas con canto biselado siempre que sea posible, en especial cuando rebaje piezas de trabajo delgadas. Apague la rebajadora antes de remover piezas de desecho.
- r) Evite posiciones incómodas de las manos, donde un resbalón repentino podría provocar el contacto con la broca giratoria. No se extienda demasiado.
- s) Evite rebajar piezas pequeñas. Rebaje el perfil de una pieza de trabajo grande y, luego, corte la pieza al tamaño final a partir de la pieza de trabajo grande. Si debe rebajar una pieza pequeña, cree una plantilla apropiada o sostenga la pieza con una abrazadera manual a tornillo.
- t) Asegúrese de que la broca salga de la pieza de trabajo y de que se detenga completamente antes de ajustar la posición de la pieza de trabajo. Nunca encienda la rebajadora con la pieza de trabajo en contacto con la broca.
- u) Evite los contragolpes. Los contragolpes se producen cuando la pieza de trabajo se atasca o se levanta de la mesa mientras se rebaja, lo que causa que retroceda hacia el operador. Para evitar los contragolpes y las posibles lesiones, utilice brocas afiladas, mantenga la máquina alineada y con el debido mantenimiento, y sostenga correctamente la pieza de trabajo. No intente rebajar piezas de trabajo deformes, torcidas o curvadas, o que tienen nudos sueltos.
- v) Pase la pieza de trabajo contra el giro de la broca, no en la misma dirección que este. La broca puede sujetar una pieza de trabajo alimentada con el giro de la broca, expulsarla violentamente de la mesa rebajadora y puede hacer que su mano toque la broca.
- w) Nunca atrape una pieza de trabajo entre la broca y la guía. Cuando le dé forma a un perfil en el borde recto de una pieza de trabajo, siempre rebaje con la broca colocada en la guía y el borde de la pieza de trabajo contra la guía.
- x) Siempre que rebaje un perfil en el cual el material no se quita debajo de la parte que sobresale de la broca, o una parte del perfil está atrapada entre los cortadores por encima y por debajo, tome precauciones adicionales para evitar que la pieza de trabajo se levante de la superficie de la mesa durante el rebajado. Una pieza de trabajo que se levanta de la mesa puede retroceder y causar lesiones personales graves. Cuando rebaje los perfiles, es especialmente importante usar material recto y plano, y evitar material deforme, torcido o curvado.
- y) Revise periódicamente si están apretados los sujetadores, el ajuste y las perillas de bloqueo, y la alineación de la guía. Las perillas y los sujetadores flojos y una guía desalineada pueden causar lesiones personales.
- z) Esta mesa para rebajadora está diseñada para una aplicación específica. No la modifique ni la use para otra aplicación. Si tiene preguntas relacionadas con la aplicación de la mesa rebajadora, NO la utilice hasta ponerse en contacto con Kreg Tool Company y recibir la orientación correspondiente.

- 2. Las extensiones eléctricas deben protegerse de daños y no deben tenderse a través de puertas o ventanas porque estas pueden cerrarse y dañar el cable.
- 3. Las extensiones eléctricas deben ser de 16 AWG como mínimo y tener una clasificación adecuada para el equipo que se utiliza.
- 4. Las extensiones eléctricas deben inspeccionarse periódicamente para asegurarse de que el aislamiento y la conductividad de los conductores no se vean comprometidos.
- 5. Las extensiones eléctricas no deben tenderse sobre agua y no se debe permitir que las conexiones estén expuestas a agua acumulada.

TABLA 1

Placa de nombre Amperios a 120 V	Largo de la extensión eléctrica					
	7,62 m	15,24 m	22,86 m	30,48 m	45,72 m	60,96 m
	Calibre de cable recomendado					
0 - 5	16	16	16	14	12	12
5,1 - 8	16	16	14	12	10	NR
8,1 - 12	14	14	12	10	NR	NR
12,1 - 16	12	12	NR	NR	NR	NR

NR: No recomendado

TABLA 2

Velocidades de la rebajadora recomendadas	
Diámetro de la broca	Velocidad máxima (RPM)
Hasta 1" (25 mm)	24.000
1¼" to 2" (32 mm - 51 mm)	18.000
2¼" to 2½" (57 mm - 64 mm)	16.000
3" to 3½" (76 mm - 89mm)	12.000

Siempre siga las recomendaciones del fabricante respecto a la velocidad de la broca. Algunos de los diseños de broca requieren velocidades específicas para un rendimiento seguro.

⚠ Advertencia: este producto puede exponerlo a sustancias químicas, incluidas el acrilonitrilo y otros químicos, reconocidas por el estado de California como causantes de cáncer o daños en el aparato reproductivo. Para obtener más información, visite www.P65Warnings.ca.gov.

⚠ Advertencia: Los productos para taladrar, aserrar, lijar o cortar madera pueden exponerlo al polvo de madera, una sustancia reconocida por el estado de California como causante de cáncer. Evite inhalar el polvo de la madera o utilice una mascarilla antipolvo u otros artículos de protección personal. Para obtener más información, visite www.P65Warnings.ca.gov.

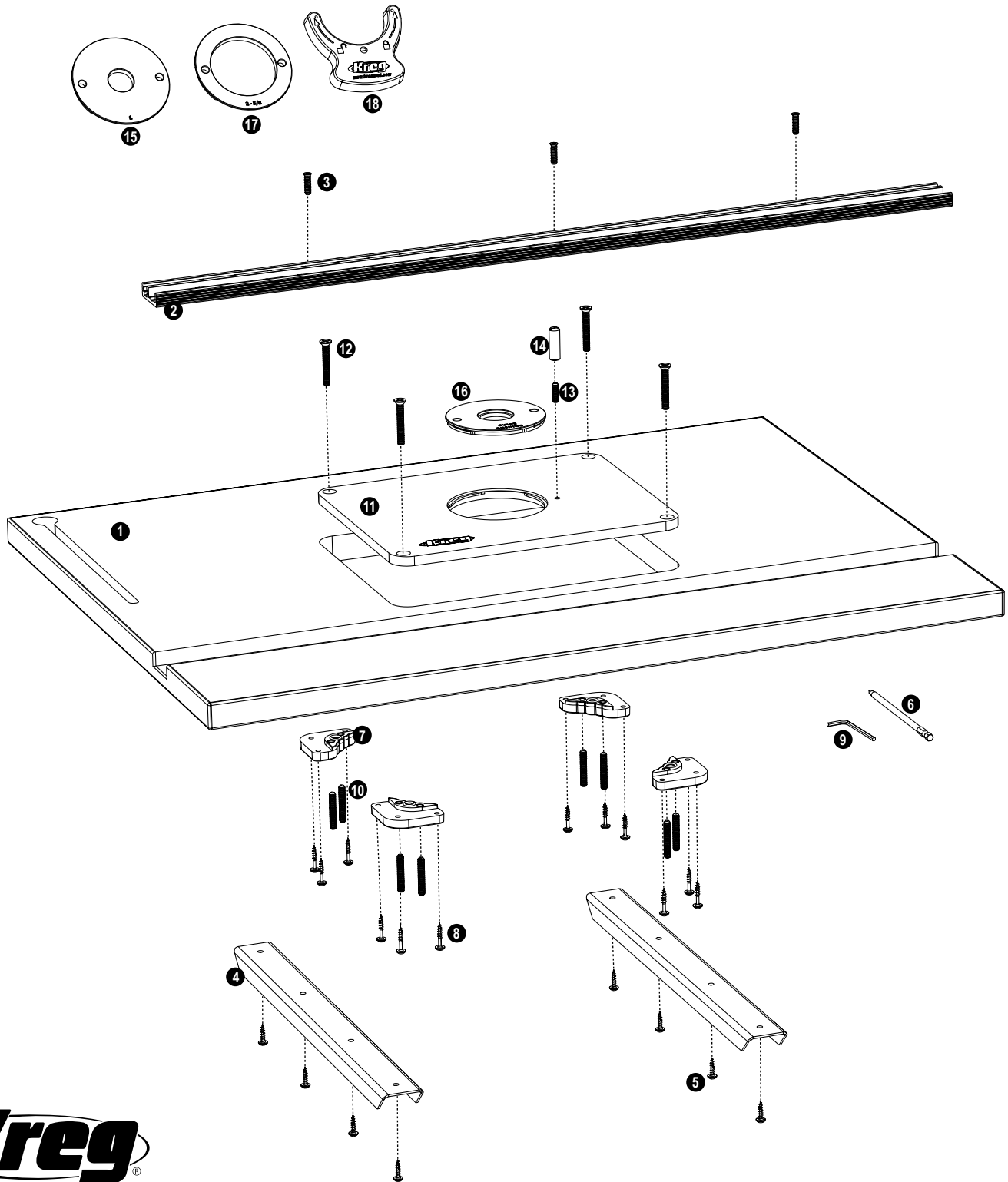
Pautas para el uso de extensiones eléctricas

Las extensiones eléctricas son solo para uso temporal. No reemplazan la necesidad de instalar tomacorrientes y el cableado adecuado cuando sea necesario.

En el taller y en los sitios de construcción:

- 1. Se deben usar extensiones eléctricas con conductor de puesta a tierra del equipo en todo momento.

Si requiere asistencia con cualquier producto Kreg, póngase en contacto con nosotros a través de nuestro sitio web o llame al Servicio al Cliente.
www.kregtool.com • 800.447.8638

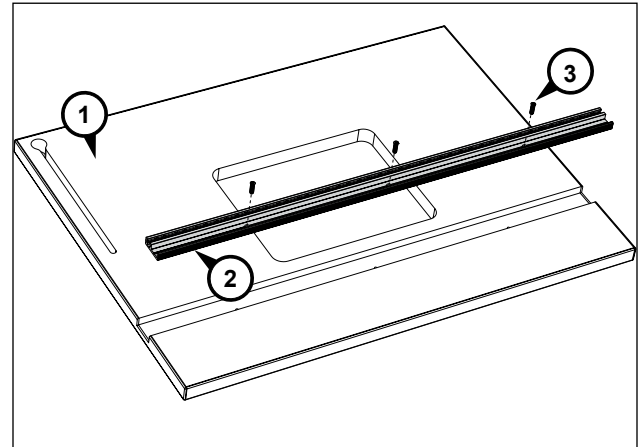


Piezas

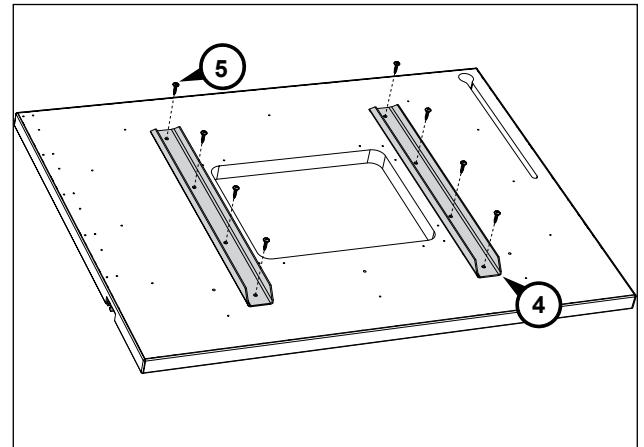
Artículo	Descripción	Pieza Kreg #	Cantidad	Artículo	Descripción	Pieza Kreg #	Cantidad
1	Cubierta de mesa	NK8324	1	10	Tornillos de ajuste de 1/4-20 x 1 1/2	RT10111	8
2	Riel Combo-Trak	NK8151	1	11	Placa de accesorio	NK8840	1
3	Tornillos del sistema de 5 mm de 20 mm de largo	NK8025	3	12	Tornillos para metal de cabeza plana de 1/4-20 x 1 1/4	RT10112	4
4	Puntales	RT10171	2	13	Tornillo de fijación de 1/4-20 x 3/4	DK1522	1
5	Paquete de 8 tornillos de rosca gruesa de 3/4"	RT10199	1	14	Pasador de inicio	RT10108	1
6	Punta de destornillador cuadrada # 2	D6	1	15	Anillo reductor de 1	NK7773	1
7	Niveladores de placa de accesorio	RT10100	4	16	Anillo reductor del conector de la guía	NK7775	1
8	Tornillos de rosca gruesa de 1 1/4	SML-C125	12	17	Anillo reductor de 2%	NK7774	1
9	Llave hexagonal de 1/8	AW18	1	18	Llave de anillo	NK8003PP	1

Ensamblaje de la cubierta

1 La cubierta de mesa (1) está equipada con el riel a inglete/riel en T combinado (2) en su lugar, pero está sujeto solo con un remache de plástico. Retire el remache y asegure el riel con tornillos del sistema (3), insertándolos en los orificios de la cubierta de la mesa.

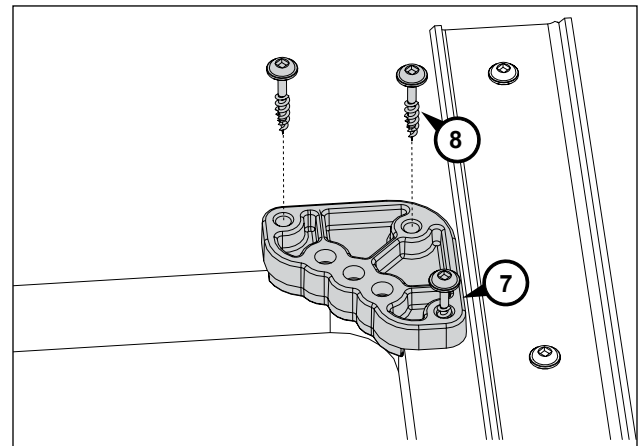


2 Coloque la cubierta de mesa boca abajo. Alinee los dos puntales de soporte (4) con los orificios en la parte inferior de la cubierta de mesa. Coloque los tornillos de rosca gruesa de 3/4 (5) con la punta de destornillador (6).

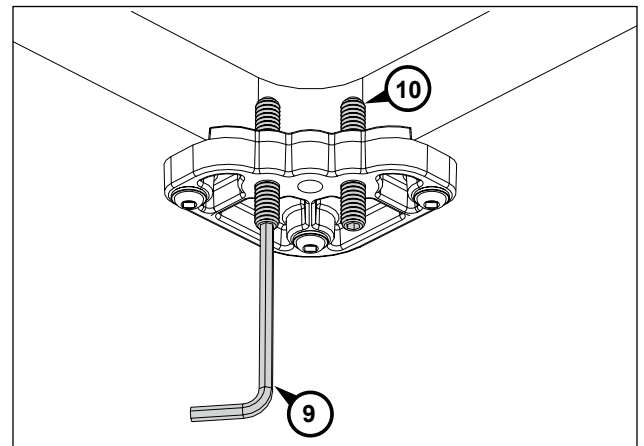


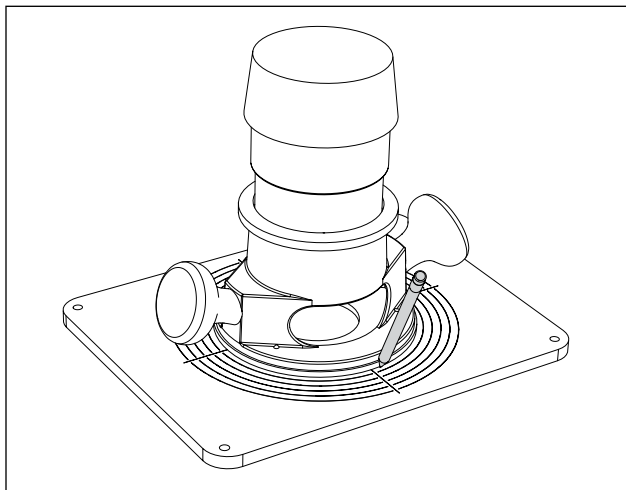
⚠ ATENCIÓN: En este paso, utilice los tornillos de 3/4 pulg. (5), NO los tornillos de 1 1/4 pulg. (8).

3 Coloque el nivelador de placa de accesorio (7) en cada esquina de la abertura de la cubierta de mesa. Los orificios en los niveladores se alinean con los orificios piloto de la cubierta de mesa. Fije los niveladores a la cubierta de mesa con tornillos de rosca gruesa de 1 1/4 pulg. (8).



4 Con la llave de tuercas hexagonal (9), inserte un tornillo de fijación con cabeza de llave (10) en los orificios exteriores de cada nivelador, apretándolos desde la parte inferior hasta que las puntas estén a una distancia de 9,35 mm por debajo de la superficie de la mesa.

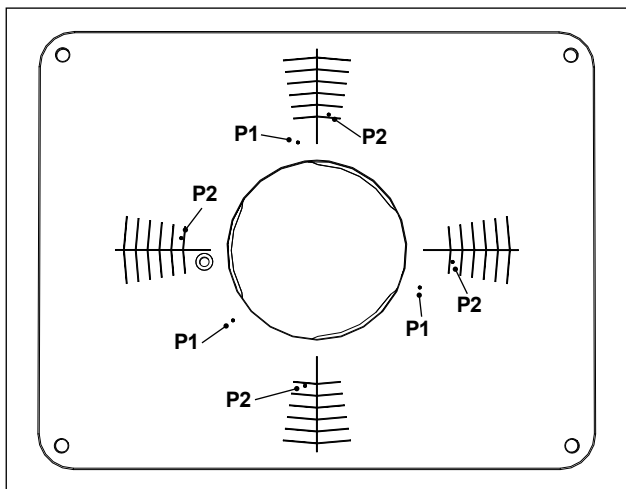




Instale su rebajadora en la placa de accesorio

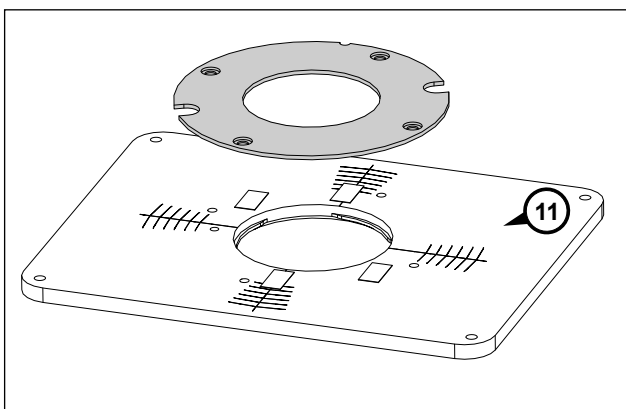
1 Coloque la placa de accesorio (11) sobre el banco de trabajo con el borde de frente apuntando hacia usted y el diseño objetivo hacia arriba. Centre la base de la rebajadora en el diseño objetivo de la placa de accesorio. Ajuste la orientación de la rebajadora para que tenga acceso a los controles cuando la rebajadora y la placa estén instaladas en la mesa para rebajadora. Haga una marca de índice en la subbase de la rebajadora y en la placa de accesorio.

! ATENCIÓN Para ver un video gratuito que le enseña cómo perforar la placa de accesorio, vaya a www.kregtool.com. También puede dejar que Kreg realice la perforación por un costo adicional. Para obtener información completa, vaya a www.kregtool.com/plateprogram.

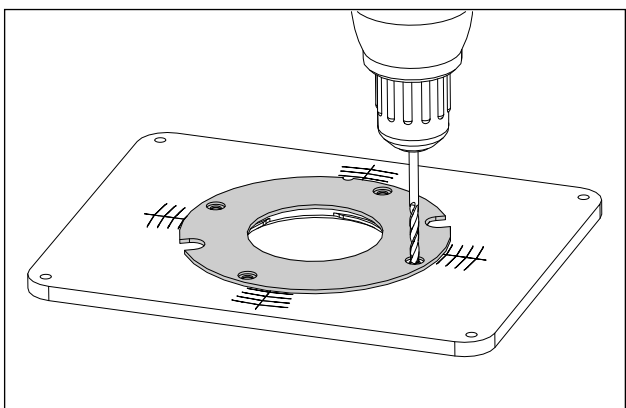


! ATENCIÓN La placa de accesorio incluida tiene puntos centrales moldeados en la superficie inferior para taladrar los orificios de montaje de las siguientes rebajadoras: **Diseño 1** (tres orificios): Bosch 1617 y 1618; DeWalt 616 y 618; Hitachi M12VC; Makita 1100; Milwaukee 5616 y 5624; Porter-Cable 690, 890, 7529, 97529 y 8529; y kit combinado Ridgid 2930. **Diseño 2** (cuatro orificios): Milwaukee 5625-20; Porter-Cable 7518, 7519, 7538 y 7539; y Triton TRA001 y MOF001. Taladre orificios y orificios escariados o avellanadores para ajustar los tornillos de montaje que se suministran con la rebajadora. Para las rebajadoras equipadas con un sistema de elevación integrado, use la subbase de la rebajadora como guía para colocar y medir el tamaño del orificio de acceso y como guía para taladrar.

Para las rebajadoras que no están incluidas en el **Diseño 1** y el **Diseño 2**, siga los **pasos 2 y 3**, a continuación.



2 Retire la subbase de la rebajadora y seleccione una broca para taladro que encaje en los orificios de montaje. Para las rebajadoras que están equipadas con un sistema de elevación integrado, seleccione una broca que encaje en el orificio de acceso a la elevación. Aplique varios trozos de cinta de doble faz a la placa de accesorio. Centre la subbase en la placa usando el diseño objetivo como guía y alineando las marcas de índice. Asegúrese de que ninguno de los orificios de la subbase interfiera con el orificio roscado para el pasador de inicio. Presione la subbase firmemente sobre la placa de accesorio.

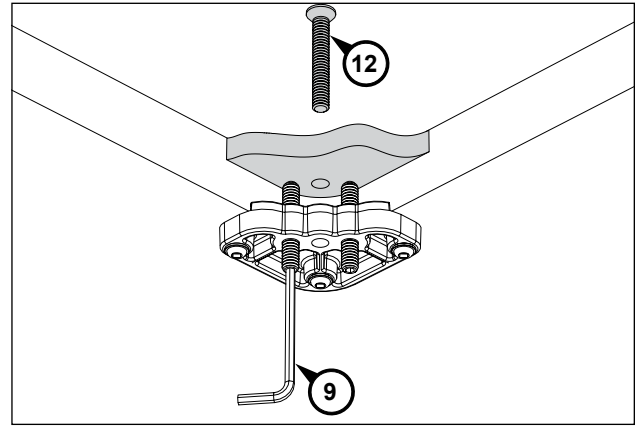


3 Usando los orificios en la subbase como guías, taladre los orificios en la placa de accesorio. Para obtener mejores resultados, use una prensa de taladrar. Retire la subbase de la placa de accesorio. Voltee la placa y avellane los orificios de montaje.

4 Fije la base de la rebajadora a la placa de accesorio usando los tornillos que se usaron para fijar la subbase a la base de la rebajadora. Asegúrese de que los tornillos sean lo suficientemente largos para enroscarse por completo en la base de la rebajadora. Según el grosor de la subbase de la rebajadora y el tipo de la cabeza del tornillo, es posible que sea necesario comprar tornillos diferentes. Para rebajadoras de base fija, instale la unidad de motor en la base de la rebajadora.

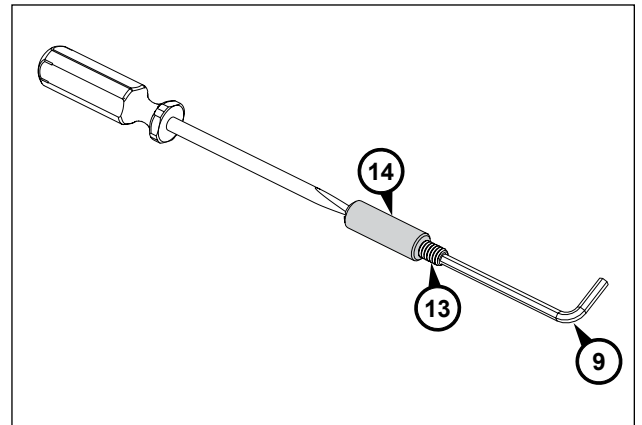
Instalación de la placa de accesorio

1 Coloque la placa de accesorio con la rebajadora fija en la abertura de la cubierta de mesa, apoyándola en los tornillos de ajuste del nivelador de placa. Con la llave hexagonal (9), ajuste los tornillos de ajuste desde debajo de la mesa para alinear las superficies de la placa y la mesa. Asegúrese de que los ocho tornillos de ajuste estén en igual contacto con la placa de accesorio. Fije la placa de accesorio a los niveladores con los tornillos de la máquina (12). Es posible que sea necesario ajustar los tornillos de la máquina y los tornillos de ajuste para ajustar con precisión el alineamiento de la placa.



2 Atornille el tornillo de ajuste (13) en la parte inferior del pasador de inicio (14) y apriete el ensamble con un destornillador y la llave hexagonal (9). Cuando esté listo para usar, enrosque el ensamble del pasador de inicio en el orificio roscado de la placa de accesorio.

¡ATENCIÓN! Cuando use la guía de la mesa para rebajadora de precisión Kreg PRS1015 en su mesa para rebajadora, guarde el pasador de inicio en el orificio roscado, en la parte posterior del bloque de sujeción.



Instrucciones de seguridad específicas para el uso de la cubierta de mesa para rebajadora de precisión que se adapta con una guía.

- a) Lea, comprenda y siga las instrucciones y las advertencias de seguridad del fabricante de la rebajadora.
- b) Desconecte la rebajadora de la fuente de alimentación antes de realizar ajustes. Nunca ajuste la guía, la placa, los anillos reductores o cualquier otra pieza de la rebajadora o de la mesa para rebajadora mientras la rebajadora está funcionando.
- c) Coloque la mesa para rebajadora sobre una superficie plana para evitar que se vuelque o resbale. Nunca se pare sobre la mesa para rebajadora.
- d) No intente rebajar piezas de trabajo deformes, torcidas o curvadas. Todas las piezas de trabajo deben tener lados planos y bordes cuadrados.
- e) No intente rebajar piezas de trabajo muy grandes en una mesa rebajadora. Las piezas de trabajo muy grandes pueden ser difíciles de controlar y pueden hacer que la mesa rebajadora se voltee.
- f) Solo utilice brocas para rebajadoras en la rebajadora. Nunca utilice herramientas como rebabas para tallar, abrasivos montados, discos de alambre o brocas, incluso si los vástagos se ajustan al diámetro del mandril de la rebajadora.
- g) Utilice guantes para manipular las brocas para rebajadora. Los bordes de corte son filosos.
- h) Nunca utilice brocas para rebajadora sucias, desafiladas o dañadas. Retire la acumulación de madera y resina con un limpiador formulado específicamente para herramientas de corte. Pídale a una persona calificada que afile las brocas desafiladas. Deseche las brocas dañadas.
- i) Asegúrese de que al menos el 75% de la longitud del vástago de la broca para rebajadora esté sujeta en el mandril de la rebajadora de manera segura. Para garantizar un agarre seguro, deje de 1/8 pulg. a 1/4 pulg. (2 mm a 3 mm) entre el extremo del vástago de la broca y la parte inferior del mandril.
- j) Utilice el anillo reductor de la placa de accesorio con la abertura más reducida que permite que la broca la atraviese. Un espacio grande alrededor de la broca puede permitir que la pieza de trabajo se voltee dentro de la broca y retroceda.
- k) Ubique las caras de la guía lo más cerca posible de la broca. Gire la broca a mano para revisar si hay interferencias. Apriete firmemente las perillas en T de las caras de la guía antes de realizar el rebajado.
- l) Ajuste la velocidad de la rebajadora para que coincida con el diámetro de la broca. Reduzca la velocidad de la rebajadora cuando utilice brocas de diámetro grande. Consulte la tabla 2 para ver las velocidades de la rebajadora recomendadas.
- m) Asegúrese de que el motor de la rebajadora esté sujeto con firmeza a la base antes de encender la rebajadora.

- n) Siempre dé apoyo a la pieza de trabajo con la guía o con el pasador de inicio. Use el pasador de inicio solo con las brocas para rebajadora que tienen un rodamiento guía.
- o) Cuando utilice la guía, siempre coloque la protección para broca sobre la broca para rebajadora y lo más cerca posible de la superficie de la pieza de trabajo.
- p) Nunca retire una gran cantidad de material en un corte. Realice varios cortes más profundos de manera progresiva y ajuste la broca para rebajadora o la posición de la guía entre cortes.
- q) Mantenga las manos alejadas de la broca giratoria y el cuerpo alejado de su trayectoria. Siempre utilice la protección para broca. Utilice varillas de empuje, bloques de empuje y tablas con canto biselado siempre que sea posible, en especial cuando rebaje piezas de trabajo delgadas. Apague la rebajadora antes de remover piezas de desecho.
- r) Evite posiciones incómodas de las manos, donde un resbalón repentino podría provocar el contacto con la broca giratoria. No se extienda demasiado.
- s) Evite rebajar piezas pequeñas. Rebaje el perfil de una pieza de trabajo grande y, luego, corte la pieza al tamaño final a partir de la pieza de trabajo grande. Si debe rebajar una pieza pequeña, cree una plantilla apropiada o sostenga la pieza con una abrazadera manual a tornillo.
- t) Asegúrese de que la broca salga de la pieza de trabajo y de que se detenga completamente antes de ajustar la posición de la pieza de trabajo. Nunca encienda la rebajadora con la pieza de trabajo en contacto con la broca.
- u) Evite los contragolpes. Los contragolpes se producen cuando la pieza de trabajo se atasca o se levanta de la mesa mientras se rebaja, lo que causa que retroceda hacia el operador. Para evitar los contragolpes y las posibles lesiones, utilice brocas afiladas, mantenga la máquina alineada y con el debido mantenimiento, y sostenga correctamente la pieza de trabajo. No intente rebajar piezas de trabajo deformes, torcidas o curvadas, o que tienen nudos sueltos.
- v) Pase la pieza de trabajo contra el giro de la broca, no en la misma dirección que este. La broca puede sujetar una pieza de trabajo alimentada con el giro de la broca, expulsarla violentamente de la mesa rebajadora y puede hacer que su mano toque la broca.
- w) Nunca atrape una pieza de trabajo entre la broca y la guía. Cuando le dé forma a un perfil en el borde recto de una pieza de trabajo, siempre rebaje con la broca colocada en la guía y el borde de la pieza de trabajo contra la guía.
- x) Siempre que rebaje un perfil en el cual el material no se quita debajo de la parte que sobresale de la broca, o un parte del perfil está atrapado entre los cortadores

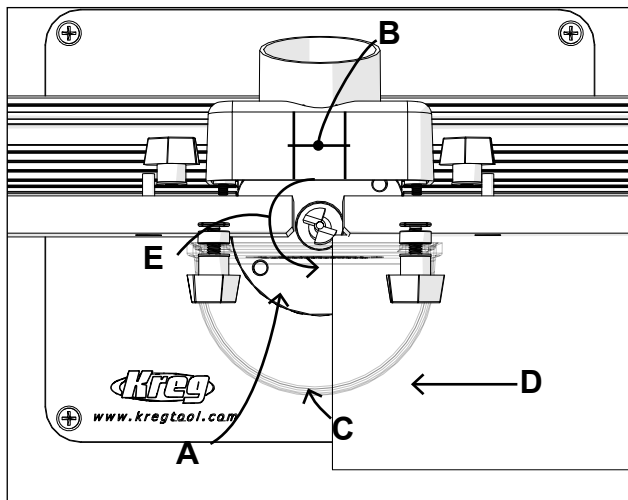
por encima y por debajo, tome precauciones adicionales para evitar que la pieza de trabajo se levante de la superficie de la mesa durante el rebajado. Una pieza de trabajo que se levanta de la mesa puede retroceder y causar lesiones personales graves. Cuando rebaje los perfiles, es especialmente importante usar material recto y plano, y evitar material deforme, torcido o curvado.

y) Revise periódicamente si están apretados los sujetadores, el ajuste y las perillas de bloqueo, y la alineación de la guía. Las perillas y los sujetadores flojos y una

guía desalineada pueden causar lesiones personales.

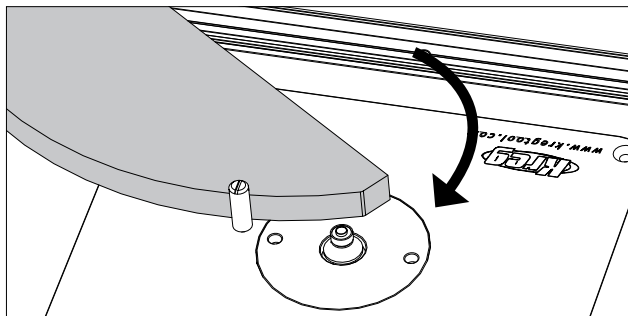
z) Esta mesa para rebajadora está diseñada para una aplicación específica. No la modifique ni la use para otra aplicación. Si tiene preguntas relacionadas con la aplicación de la mesa rebajadora, NO la utilice hasta ponerse en contacto con Kreg Tool Company y recibir la orientación correspondiente.

Uso de la cubierta de mesa para rebajadora de precisión



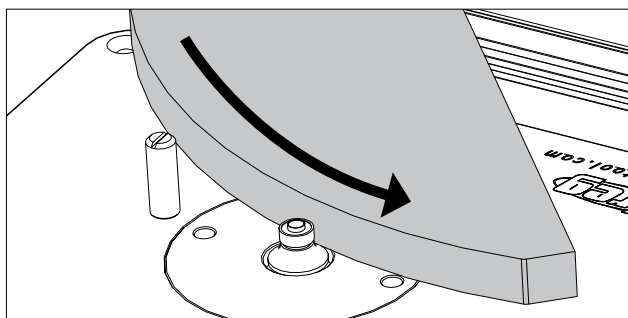
Rebajado en general

(A) Utilice el anillo reductor de la placa de accesorio con la apertura más reducida que permite que la broca la atraviese. (B) Ubique las caras de la guía lo más cerca posible de la broca. Gire la broca a mano para revisar si hay interferencias. Apriete firmemente las perillas en T de las caras de la guía antes de realizar el rebajado. (C) Coloque la protección para broca sobre la broca para rebajadora y lo más cerca posible de la superficie de la pieza de trabajo. (D) Alimente la pieza de trabajo contra el (giro de la broca (E), no en la misma dirección que este.

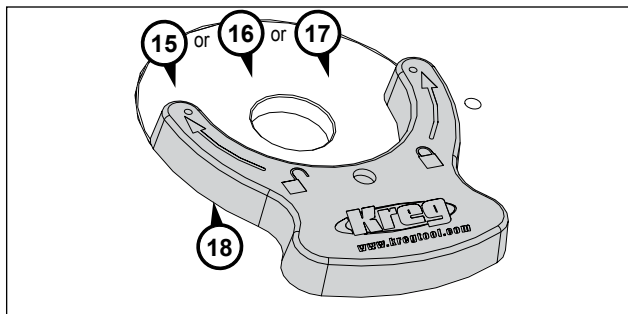


Pasador de inicio

Para usar el pasador de inicio, comience con la pieza de trabajo que toca el pasador de inicio, pero sin contacto con la broca para rebajadora. Gire lentamente la pieza de trabajo en la broca hasta que la pieza de trabajo haga contacto con el rodamiento guía de la broca. Siempre alimente la pieza de trabajo de modo que la broca para rebajadora gire contra (no con) la dirección de alimentación. Con la pieza de trabajo en contacto firme con el rodamiento guía, retire la pieza de trabajo del pasador de inicio y aliméntela a lo largo del rodamiento guía.



⚠ ADVERTENCIA Use el pasador de inicio cuando realice el rebajado en bordes curvos y solo con las brocas para rebajadora que tienen un rodamiento guía. Al rebajar a lo largo de bordes rectos, siempre use la guía.



Anillos reductores

Los tres anillos reductores (15, 16 y 17) brindan flexibilidad al hacer coincidir el tamaño de la apertura de la placa de accesorio con el diámetro de la broca para rebajadora en uso. El anillo con la apertura ranurada acepta conectores guía estilo universal para usar en rebajados de diseños. Para instalar un anillo reductor, colóquelo en la apertura de la placa de accesorio y gírelo a mano hasta que quede al ras con la superficie de la placa. Gire el anillo en dirección contraria a las manecillas del reloj con la llave de anillo (18) para bloquear el anillo en su lugar.

⚠ ADVERTENCIA Siempre use el anillo reductor con la apertura más reducida posible.



Kreg Tool Company, 201 Campus Drive, Huxley, IA 50124
800.447.8638 • www.kregtool.com